



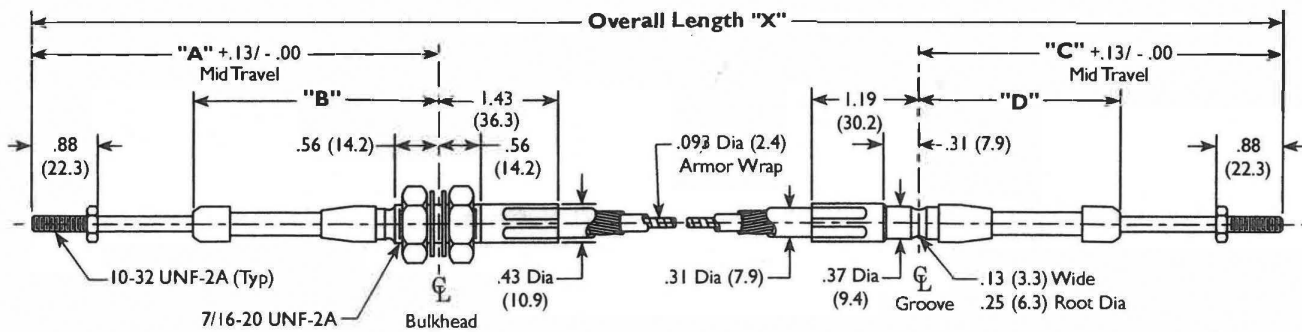
30 Series Armor Core Push-Pull Control

Typical applications include throttle controls, activating electrical relays or hydraulic valves and shifting hydrostatic transmissions. 6" minimum bend radius.

Control Length (Inches)	"X"
Up to 60.00	± .31
60.01 to 120.00	± .50
120.01 to 240.00	± .75
Above 240.00	± 1.00

Travel	Bulkhead Type Fitting		Grooved Type Fitting		Input Load Pounds (kg)
	"A"	"B"	"C"	"D"	
1"	4.38 (111.2)	3.00 (76.2)	3.80 (96.5)	2.49 (63.2)	40 (18.1)
2"	5.87 (149.1)	4.00 (101.6)	5.31 (134.9)	3.49 (88.6)	30 (13.6)
3"	7.38 (187.4)	5.00 (127.0)	6.80 (172.7)	4.49 (114.0)	20 (9.1)
4"	8.87 (225.3)	6.00 (152.4)	8.31 (211.1)	5.49 (139.4)	10 (4.5)
5"	10.38 (263.6)	7.00 (177.8)	9.80 (248.9)	6.49 (164.8)	5 (2.3)
6"	11.77 (298.9)	8.00 (203.2)	11.31 (287.3)	7.49 (190.2)	5 (2.3)

All Dimensions are Inches (mm)



40 Series Armor Core Push-Pull Control

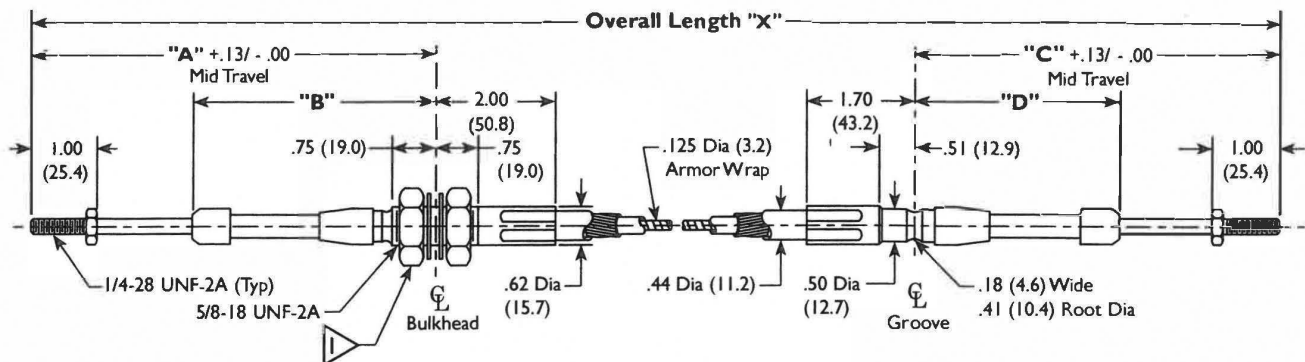
Typical applications include drum controls, throttle controls (cement mixers), shifting hydrostatic transmissions or activating hydraulic valves. 8" minimum bend radius.

Control Length (Inches)	"X"
Up to 60.00	± .31
60.01 to 120.00	± .50
120.01 to 240.00	± .75
Above 240.00	± 1.00

Travel	Bulkhead Type Fitting		Grooved Type Fitting		Input Load Pounds (kg)
	"A"	"B"	"C"	"D"	
1"	4.62 (117.3)	3.19 (81.0)	4.00 (101.6)	2.56 (65.0)	120 (54.4)
2"	6.13 (155.7)	4.19 (106.4)	5.50 (139.7)	3.56 (90.4)	90 (40.8)
3"	7.62 (193.5)	5.19 (131.8)	7.00 (177.8)	4.56 (115.8)	75 (34.0)
4"	9.13 (231.9)	6.19 (157.2)	8.50 (215.9)	5.56 (141.2)	65 (29.5)
5"	10.62 (269.7)	7.19 (182.6)	10.00 (254.0)	6.56 (166.6)	60 (27.2)
6"	12.13 (308.1)	8.19 (208.0)	11.50 (292.1)	7.56 (192.0)	60 (27.2)

All Dimensions are Inches (mm)

NOTE:
Nuts fit over seals (typ)



Prices subject to change without notice. **ASK FOR QUANTITY DISCOUNT**

1-800-228-9222 / e-mail: sales@baumhydraulics.com
Fax: 1-800-832-2522 / www.baumhydraulics.com / © Baum Hydraulics Corporation

BAUM HYDRAULICS CORPORATION



60 Series Armor Core Push-Pull Control

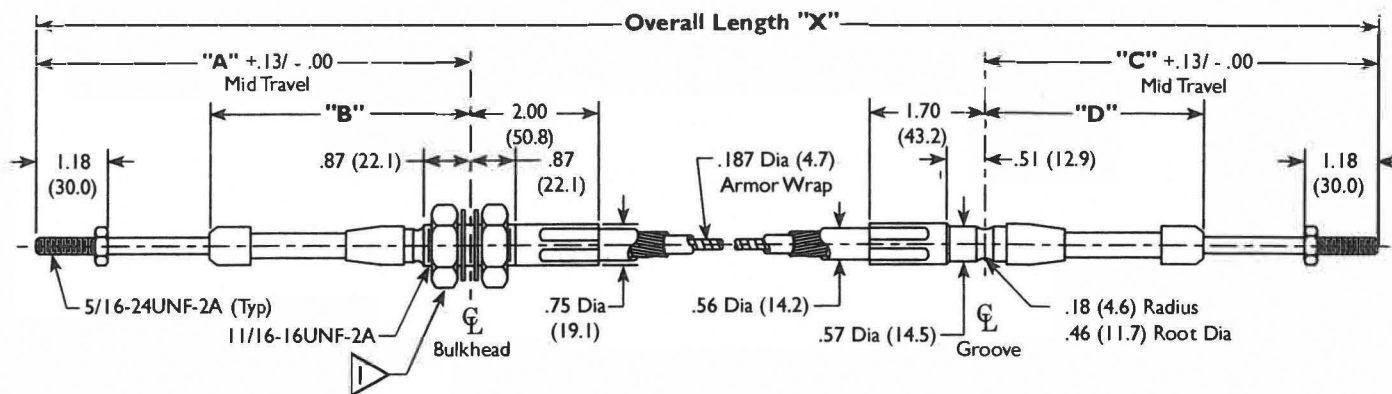
Typical applications include shifting hydrostatic or heavy duty transmissions or activating hydraulic valves.
10" minimum bend radius.

Control Length (Inches)	"X"
Up to 60.00	± .31
60.01 to 120.00	± .50
120.01 to 240.00	± .75
Above 240.00	± 1.00

Travel	Bulkhead Type Fitting		Grooved Type Fitting		Input Load Pounds (kg)
	"A"	"B"	"C"	"D"	
1"	5.08 (129.0)	3.38 (85.8)	4.38 (111.2)	2.68 (68.1)	220 (99.8)
2"	6.56 (166.6)	4.38 (111.2)	5.87 (149.1)	3.68 (93.5)	200 (90.7)
3"	8.06 (204.7)	5.38 (136.6)	7.38 (187.4)	4.68 (118.9)	170 (77.1)
4"	9.56 (242.8)	6.38 (162.0)	8.87 (225.3)	5.68 (144.3)	140 (63.5)
5"	11.06 (280.9)	7.38 (187.4)	10.38 (263.6)	6.68 (169.7)	110 (49.9)
6"	12.56 (319.0)	8.38 (212.8)	11.87 (301.5)	7.68 (195.1)	80 (36.3)

All Dimensions are Inches (mm)

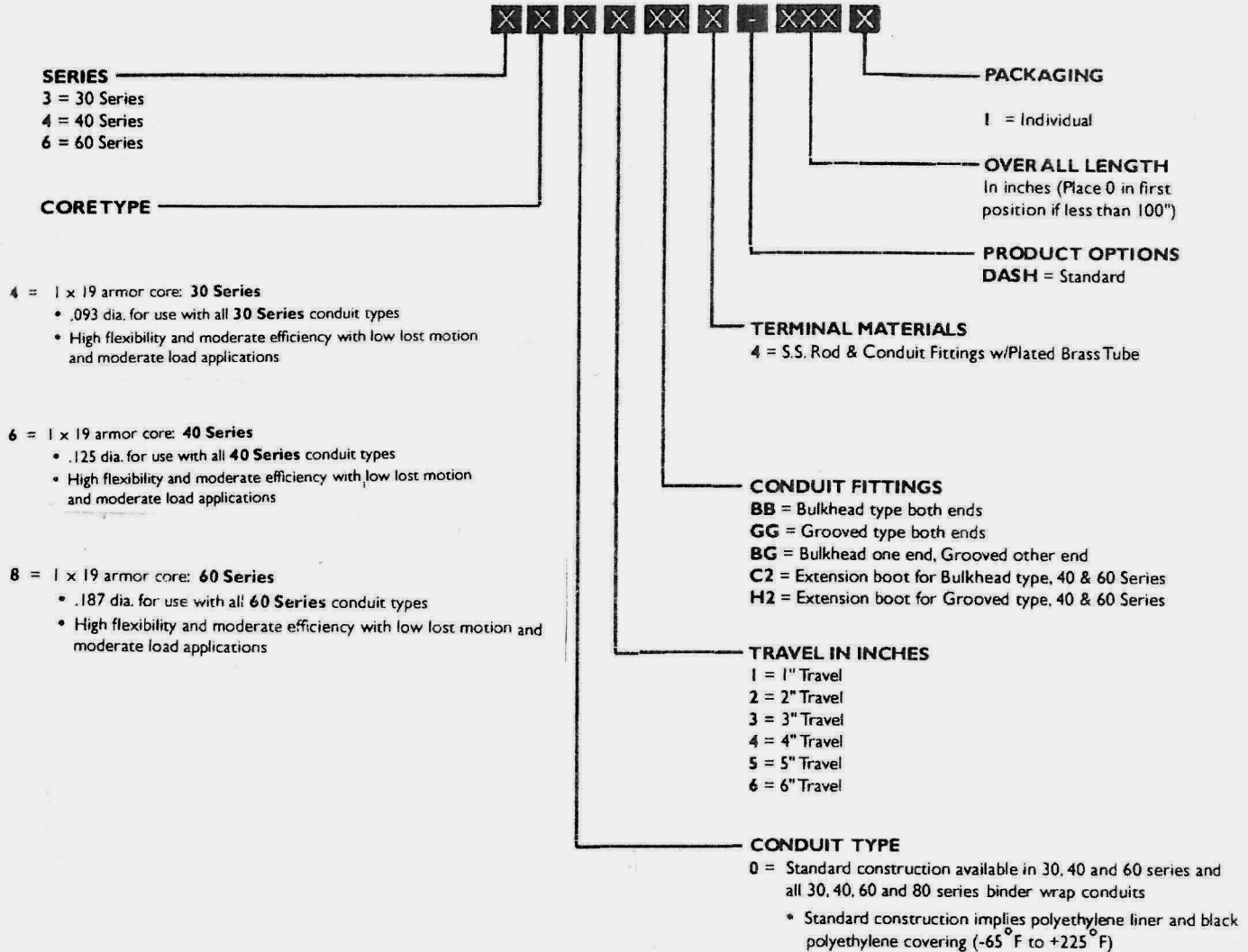
NOTE:
Nuts fit over seals (typ)



ASK FOR QUANTITY DISCOUNT Prices subject to change without notice.



Push-Pull Cable Part Number Codes



Prices subject to change without notice. **ASK FOR QUANTITY DISCOUNT**

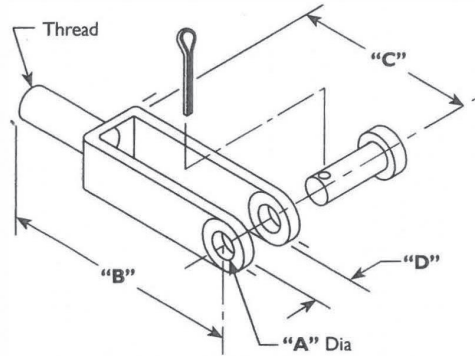
1-800-228-9222 / e-mail: sales@baumhydraulics.com
 Fax: 1-800-832-2522 / www.baumhydraulics.com / © Baum Hydraulics Corporation

BAUM HYDRAULICS CORPORATION



Accessories

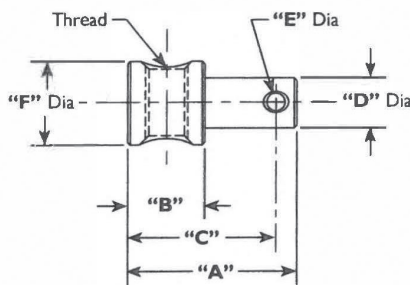
Clevis Assembly



30 Series (10-32 Thread)				
Part Number	"A" Dia	"B"	"C"	"D"
06-1500-04	.187 (4.8)	1.56 (39.7)	1.00 (25.4)	.187 (4.8)
06-1500-05	.25 (6.3)	2.00 (50.8)	1.25 (31.7)	.281 (7.1)
40 Series (1/4-28 Thread)				
06-1500-01	.25 (6.3)	2.00 (50.8)	1.25 (31.7)	.281 (7.1)
06-1500-02	.31 (7.9)	2.25 (57.1)	1.44 (36.5)	.343 (8.7)
06-1500-03	.38 (9.7)	2.50 (63.5)	1.62 (41.1)	.437 (11.1)
60 Series (5/16-24 Thread)				
06-1500-06	.25 (6.3)	2.00 (50.8)	1.25 (31.7)	.281 (7.1)
06-1500-07	.31 (7.9)	2.25 (57.1)	1.44 (36.5)	.343 (8.7)
80 Series (3/8-24 Thread)				
06-1500-08	.38 (9.7)	2.50 (63.5)	1.62 (41.1)	.437 (11.1)
06-1500-09	.50 (12.7)	3.00 (76.2)	1.88 (47.8)	.562 (14.3)

All Dimensions are in inches (mm)

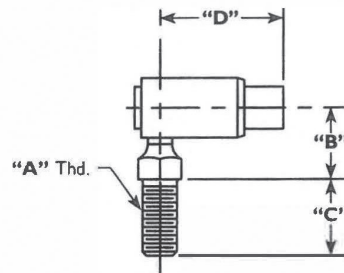
Pivot



20 and 30 Series (10-32 Thread)						
Part Number	"A" Dia	"B"	"C"	"D" Dia	"E" Dia	"F" Dia
02-1601-01	.718 (18.2)	.375 (9.5)	.611 (15.5)	.187 (4.7)	.081 (2.0)	.43 (10.9)
02-1601-02	.625 (15.9)	.315 (8.0)	.496 (12.6)	.250 (6.3)	.081 (2.0)	.43 (10.9)
02-1601-03	.781 (19.8)	.310 (7.8)	.645 (16.4)	.250 (6.3)	.081 (2.0)	.43 (10.9)
02-1601-06	.750 (19.0)	.380 (9.6)	.656 (16.6)	.230 (5.8)	.093 (2.4)	.43 (10.9)
40 Series (1/4-28 Thread)						
02-1601-04	.906 (23.0)	.562 (14.3)	.743 (18.9)	.312 (7.9)	.081 (2.0)	.50 (12.7)
60 Series (5/16-24 Thread)						
02-1601-05	1.265 (32.1)	.578 (14.7)	1.109 (28.1)	.375 (9.5)	.136 (3.4)	.63 (16.0)

All Dimensions are in inches (mm)

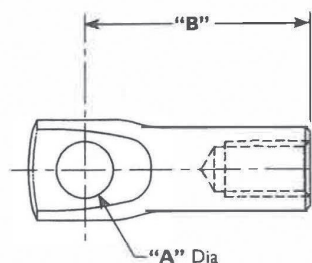
Ball Joint



30 Series				
Part Number	"A" Thd	"B"	"C"	"D"
08-0005-01	1/4-28	.47 (11.9)	.56 (14.2)	.91 (23.1)
08-0005-02	10-32	.47 (11.9)	.44 (11.2)	.91 (23.1)
08-0005-03	10-32	.47 (11.9)	.44 (11.2)	.91 (23.1)
40 Series				
08-0004-01	1/4-28	.47 (11.9)	.56 (14.2)	.97 (24.6)
60 Series				
08-0021-01	5/16-24	.59 (15.0)	.69 (17.5)	1.25 (31.7)

All Dimensions are in inches (mm)

Terminal Eye



40 Series (1/4-28 Thread)		
Part Number	"A" Dia	"B"
02-1600-22	.255 (6.5)	1.00 (25.4)
02-1600-35	.193 (4.9)	1.00 (25.4)
02-1600-58	.265 (6.7)	1.50 (38.1)

All Dimensions are in inches (mm)

ASK FOR QUANTITY DISCOUNT Prices subject to change without notice.

BAUM HYDRAULICS CORPORATION

1-800-228-9222 / e-mail: sales@baumhydraulics.com
 Fax: 1-800-832-2522 / www.baumhydraulics.com / © Baum Hydraulics Corporation

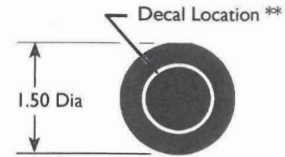
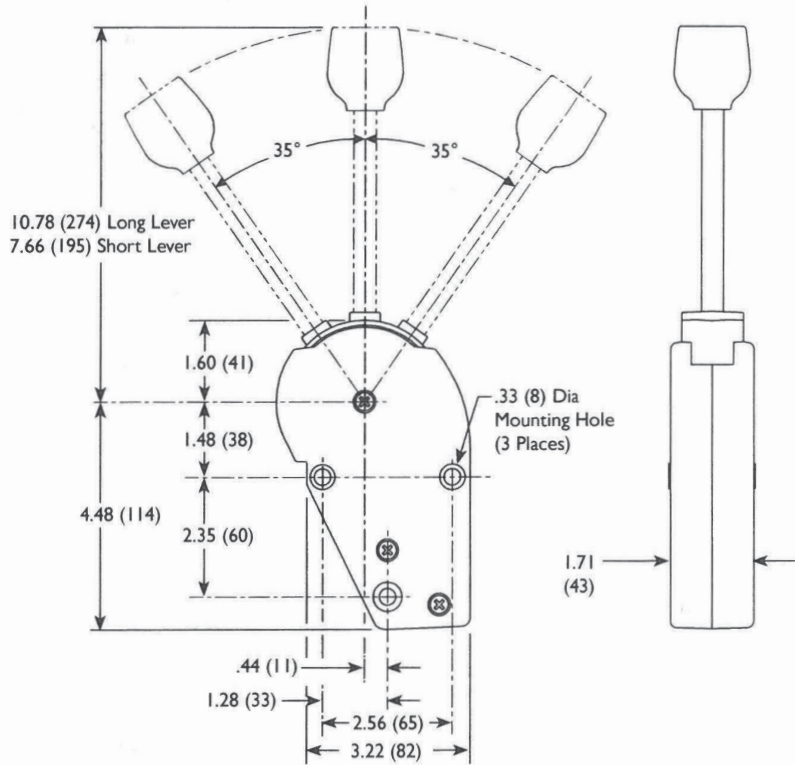
Non-Locking Single Axis Remote Valve Control

Available in Black Composite.

Max Load 100 lbs, Cable Travel (from center) ±0.76

Custom bent levers for higher volume available, contact factory representative.

All Dimensions Are Inches (mm)

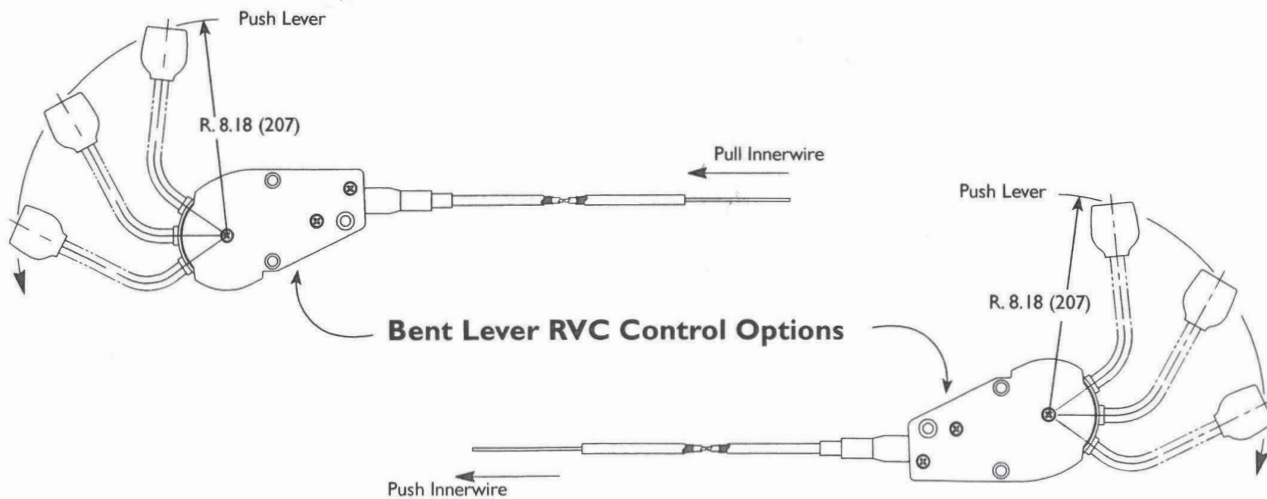


Knob Detail
Black Knob with Fixed Black Insert



****Decal Sheet**
(Shipped with Control)

Description	Wescon P/N
Non-Locking Straight Lever (Short)	08-6010-01
Non-Locking Straight Lever (Long)	08-6010-02
Non-Locking Bent Lever (Push Lever-Pull Innerwire)	08-6010-03
Non-Locking Bent Lever (Push Lever-Push Innerwire)	08-6010-04



ASK FOR QUANTITY DISCOUNT

Prices subject to change without notice.

BAUM HYDRAULICS CORPORATION

1-800-228-9222 / e-mail: sales@baumhydraulics.com
Fax: 1-800-832-2522 / www.baumhydraulics.com / © Baum Hydraulics Corporation

WESCON

I - Which Control Do You Need?

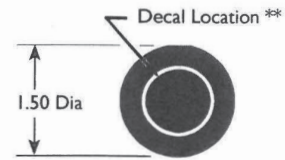
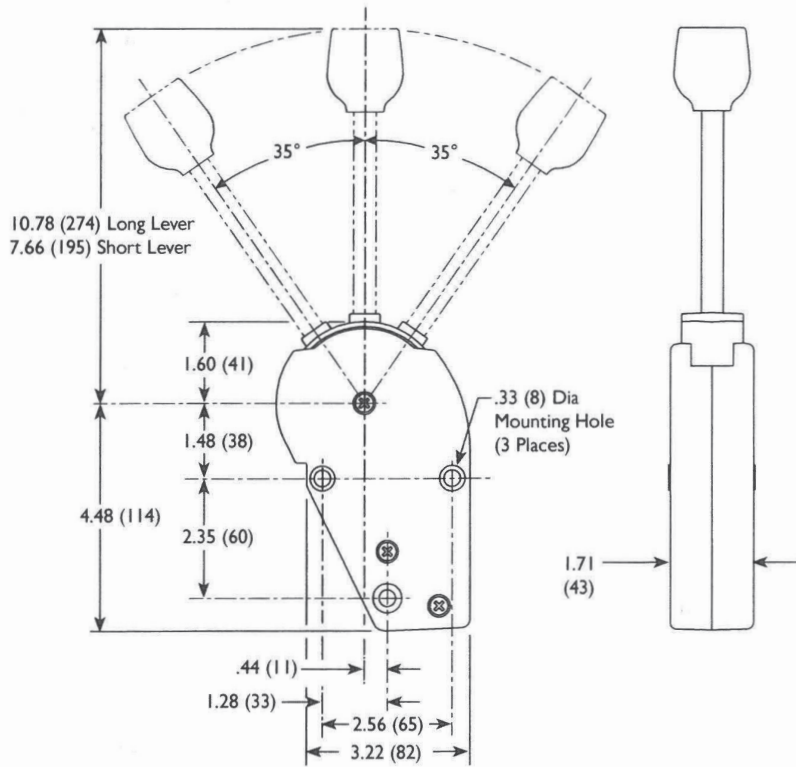
Non-Locking Single Axis Remote Valve Control

Available in Black Composite.

Max Load 100 lbs, Cable Travel (from center) ±0.76

Custom bent levers for higher volume available, contact factory representative.

All Dimensions Are Inches (mm)



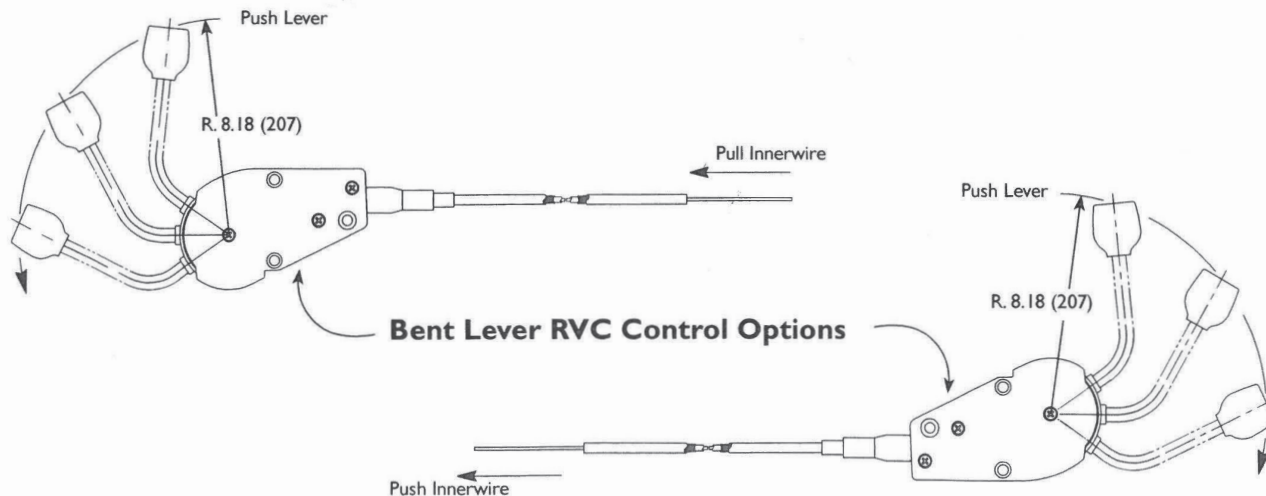
Knob Detail

Black Knob with Fixed Black Insert



****Decal Sheet**
(Shipped with Control)

Description	Wescon P/N
Non-Locking Straight Lever (Short)	08-6010-01
Non-Locking Straight Lever (Long)	08-6010-02
Non-Locking Bent Lever (Push Lever-Pull Innerwire)	08-6010-03
Non-Locking Bent Lever (Push Lever-Push Innerwire)	08-6010-04



ASK FOR QUANTITY DISCOUNT

Prices subject to change without notice.

BAUM HYDRAULICS CORPORATION

1-800-228-9222 / e-mail: sales@baumhydraulics.com

Fax: 1-800-832-2522 / www.baumhydraulics.com / © Baum Hydraulics Corporation

WESCON **I - Which Control Do You Need?**

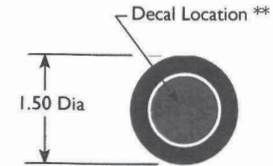
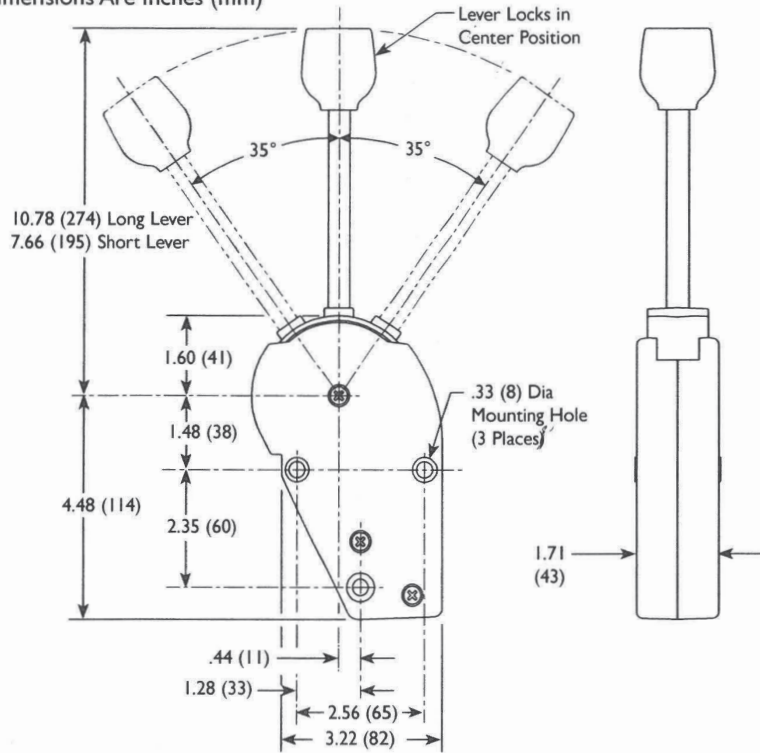
Center Locking Single Axis Remote Valve Control

Available in Black Composite.

Max Load 100 lbs, Cable Travel (from center) ±0.76

Custom bent levers for higher volume available, contact factory representative.

All Dimensions Are Inches (mm)

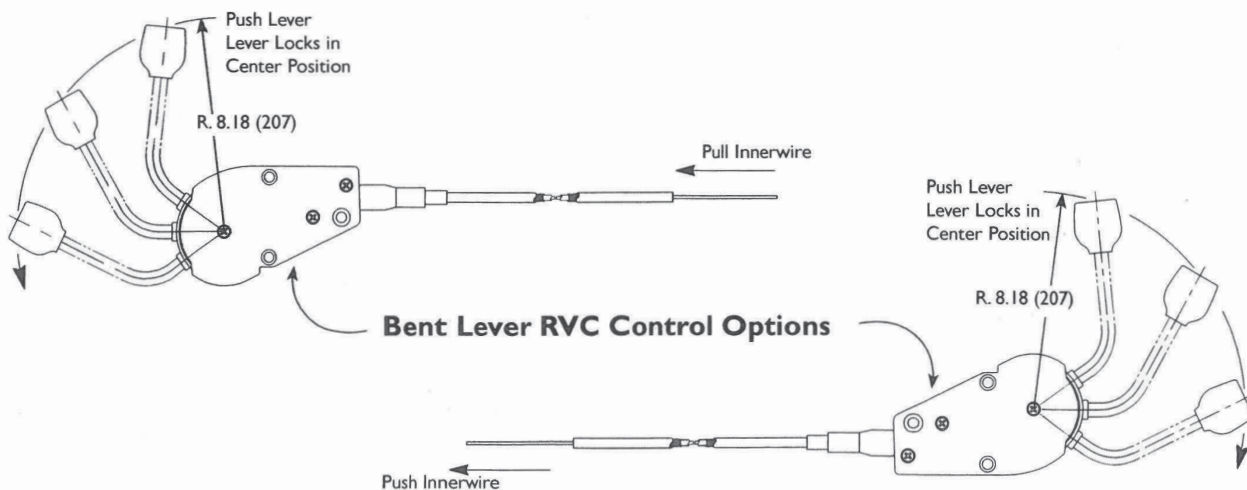


Knob Detail
Black Knob with Red Release Button



****Decal Sheet**
(Shipped with Control)

Description	Wescon P/N
Center Locking Straight Lever (Short)	08-6011-01
Center Locking Straight Lever (Long)	08-6011-02
Center Locking Bent Lever (Push Lever-Pull Innerwire)	08-6011-03
Center Locking Bent Lever (Push Lever-Push Innerwire)	08-6011-04

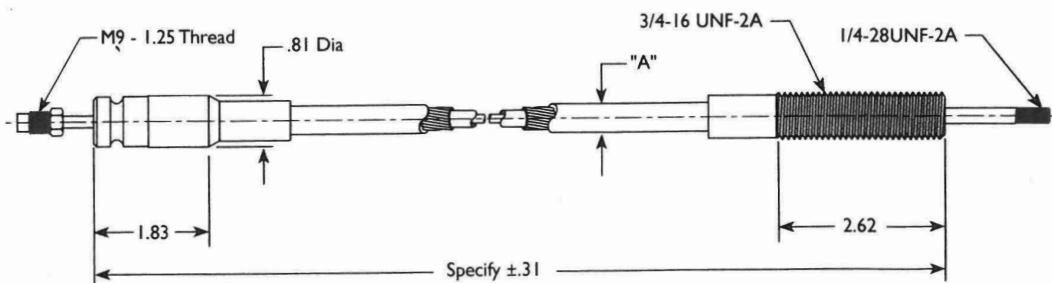


Prices subject to change without notice. **ASK FOR QUANTITY DISCOUNT**

WESCON **2 - Which Cable Fits Your Application?**

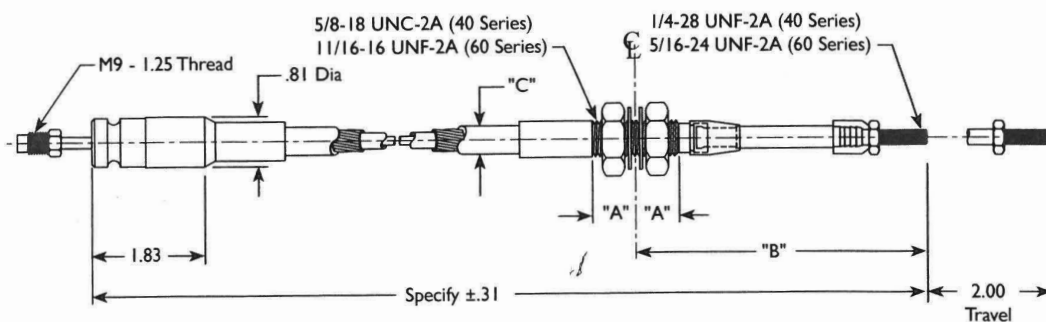
Wescon recommends 40 Series Cable Assemblies for Use with Remote Valve Controls

Style 1 - RVC Head Adapter with Connection Kit Attachment Fitting (use with standard RVC only)



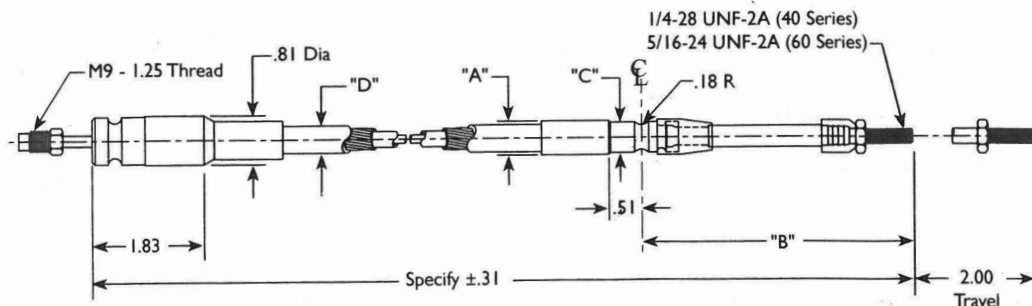
Part Number	"A"
40 Series	.44
60 Series	.56

Style 2 - RVC Head Adapter with Bulkhead Swivel Fitting 2" Travel (use with standard RVC only)



Part Number	"A"	"B"	"C"
40 Series	.75	5.13	.44
60 Series	.87	5.56	.56

Style 3 - RVC Head Adapter with Grooved Swivel Fitting 2" Travel (use with standard RVC only)

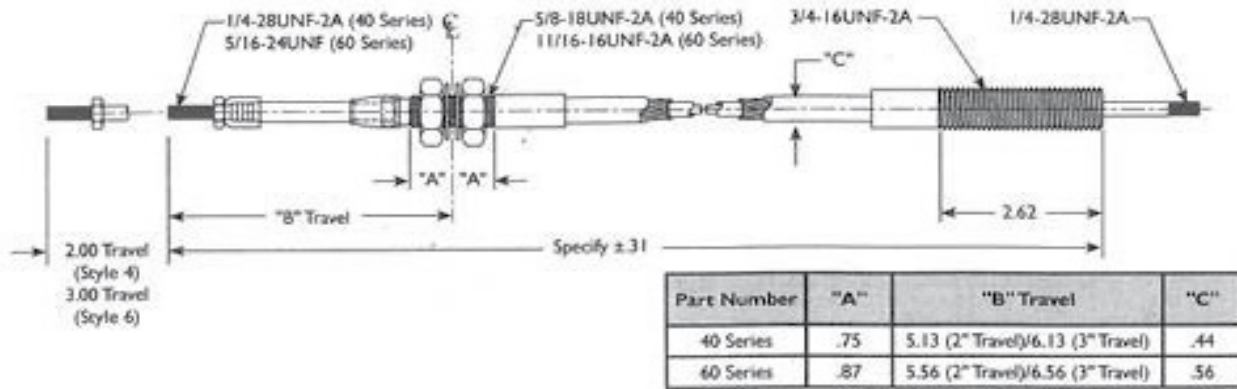


Part Number	"A"	"B"	"C"	"D"
40 Series	.56	4.50	.50 Dia	.44
60 Series	.75	4.88	.57 Dia	.56

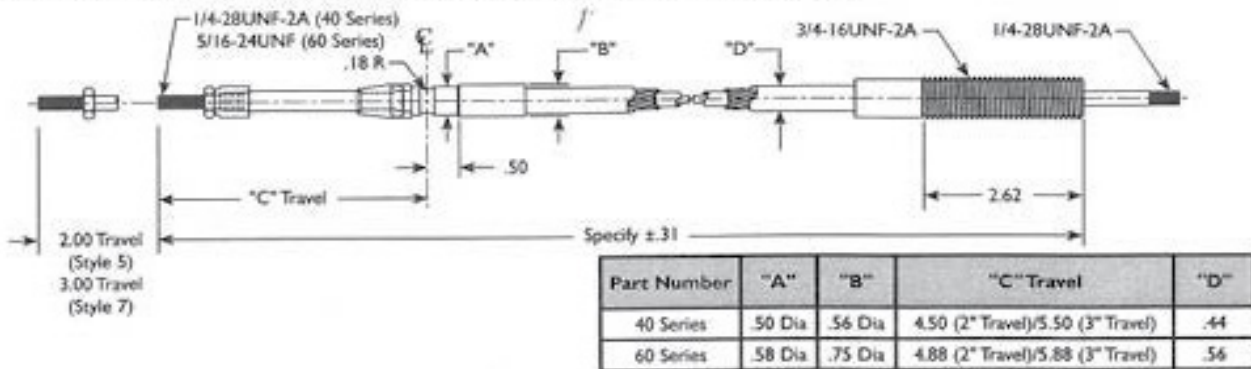
Prices subject to change without notice. **ASK FOR QUANTITY DISCOUNT**

WESCON **2 - Which Cable Fits Your Application?**

Styles 4 & 6 - Bulkhead Swivel Fitting with Connection Kit Attachment Fitting



Styles 5 & 7 - Grooved Swivel Fitting with Connection Kit Attachment Fitting



WESCON **Remote Valve Control Cable Part Number Codes**

STYLE

- 1 = RVC Head Adapter with Connection Kit Attachment Fitting
- 2 = RVC Head Adapter with Bulkhead Swivel Fitting
- 3 = RVC Head Adapter with Grooved Swivel Fitting
- 4 = 2" Travel Bulkhead Swivel with Connection Kit Attachment Fitting
- 5 = 2" Travel Grooved Swivel with Connection Kit Attachment Fitting
- 6 = 3" Travel Bulkhead Swivel with Connection Kit Attachment Fitting
- 7 = 3" Travel Grooved Swivel with Connection Kit Attachment Fitting

EXAMPLE:
 P.N. 53461-088B RVC Head Adapter One End with Grooved Swivel Fitting Opposite End, 40 Series Conduit, 1 x 19 Armor Wrap Core, Black HDPE Conduit Covering, 88 Inches Long, Bulk Pack.

Designation for Remote Valve Control (RVC)

PACKAGING
 B = Bulk
 I = Individual

LENGTH
 (1" Increments)

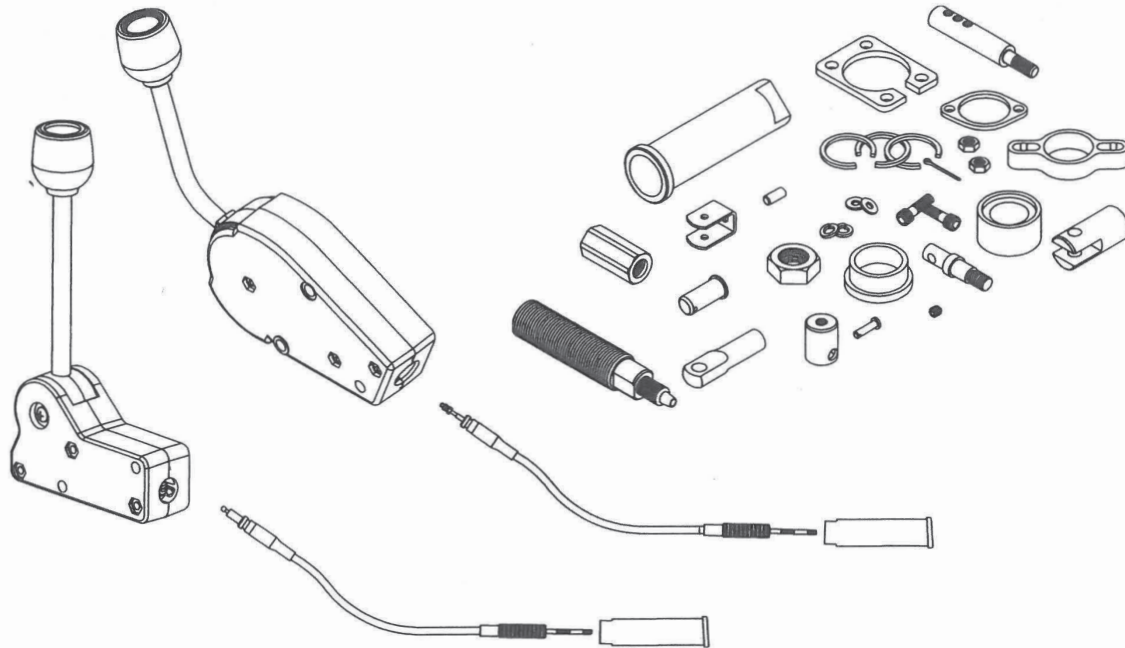
CONDUIT TYPE & COLOR
 I = HDPE, Black (Standard)

CORE
 6 = 1 x 19 Armor Wrap

CONDUIT SERIES
 4 = 40 Series, Conduit
 6 = 60 Series, Conduit

WESCON

4 - Select Your Connection Kit



VALVE MANUFACTURER	VALVE MANUFACTURER PART NUMBER	WESCON PART NUMBER
Bosch/Rex Roth	30-S2, MP-18 (F.E.) M4-12-1X (F.E.)	01-5000-13 01-5001-75
Brand	34BFT4S (F.E.) 34BHFT4S (R.E.) 34A058730 (R.E.) TS112, 212, 312 (F.E.)	01-5000-33 01-5000-99 01-5001-15 01-5001-44
Bucher	HDS15 (F.E.)	01-5001-101
Parker/ Commercial	A-20, PC25, DAV-20 (F.E.) A-20, PC25 (R.E.) VA-35 (R.E.) VA-35 (F.E.) C101 & C102 Pump (F.E.) G101 & G102 Pump (F.E.) G103 & G104 Pump (F.E.)	01-5000-10 01-5000-11 01-5000-29 01-5000-36 01-5000-71 01-5001-14 01-5000-41
Cross	BA, BC, CA, DC, SS (F.E.)	01-5000-28
Energy	CVSD, CVP, CVA-200 (F.E.)	01-5000-12
Parker/Gresen	25P, CP, CS, V20, V42 (F.E.) V12 (F.E.) V20 (F.E.) V20 Spring Return (R.E.) V30 (F.E.)	01-5000-12 01-5000-25 01-5000-66 01-5001-39 01-5000-20

VALVE MANUFACTURER	VALVE MANUFACTURER PART NUMBER	WESCON PART NUMBER
Husco	5000 (F.E.) 6000 (F.E.)	01-5000-78 01-5000-25
Kontak	KA-18 (F.E.) KA-18 (F.E.)	01-5000-31* 01-5000-43
Parker	VDPI1, VDPI2 (F.E.)	01-5000-25
Permco	DMD25, DM640 (F.E.) DMD-200, 300, 400 (F.E.)	01-5000-88 01-5001-46
Prince	RD4100 (F.E.) SV Series (F.E.) SV Series (R.E.) 20, 20P (R.E.) LVR, LVT, LVS (F.E.)	01-5000-46 01-5000-82 01-5000-85 01-5001-09 01-5001-35
Racine	3/8 (F.E.)	01-5000-20
Salami	VDM06 (F.E.)	01-5001-71
Sauer-Danfoss	PVG32	01-5001-102
Tyrone	T101/T102 (F.E.)	01-5000-88
Walvoil	DLSM8 (F.E.) SDS 150	01-5000-73 01-5001-89
Williams	Dump Pump	01-5000-42

* Fits Kontak Cable Only
(F.E.) - Front Entry
(R.E.) - Rear Entry

Prices subject to change without notice. **ASK FOR QUANTITY DISCOUNT**

1-800-228-9222 / e-mail: sales@baumhydraulics.com
Fax: 1-800-832-2522 / www.baumhydraulics.com / © Baum Hydraulics Corporation

BAUM HYDRAULICS CORPORATION



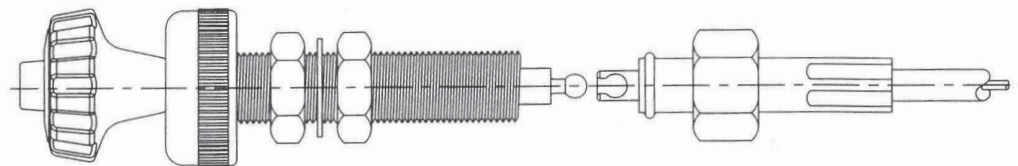
"Standard" Vernier Controls

MICRO ADJUSTABLE VERNIER CONTROL

STANDARD DESIGN INCLUDES:

- Two Piece Construction
- Black Long Lay Conduit
- Includes Friction Locknut and Red Push Button Cover
- 3" Travel with .085 S.S. Wire
- Can be Cut to Length in the Field
- Individually Packaged
- Max Recommended Working Load 25 Lbs.

Part Number	Length
953A02-BIS060I	5 Feet Long
953A02-BIS120I	10 Feet Long
953A02-BIS180I	15 Feet Long
953A02-BIS240I	20 Feet Long
953A02-BIS300I	25 Feet Long
953A02-BIS360I	30 Feet Long



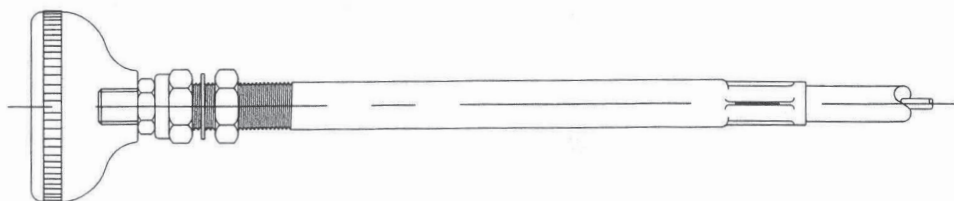
"Standard" PTO Controls

PTO CONTROL

STANDARD DESIGN INCLUDES:

- Double Wound Bowden Conduit for Greater Flexibility and Strength
- Red Phenolic Knob with "PTO" in White Shipped in Bulk
- 5" Travel with .085 S.S. Wire
- Includes Conduit Clamp Kit (01-5000-09)
- Individually Packaged

Part Number	Length
976IK-B3S-060I	5 Feet Long
976IK-B3S-120I	10 Feet Long
976IK-B3S-180I	15 Feet Long
976IK-B3S-240I	20 Feet Long
976IK-B3S-300I	25 Feet Long
976IK-B3S-360I	30 Feet Long



Prices subject to change without notice. **ASK FOR QUANTITY DISCOUNT**

1-800-228-9222 / e-mail: sales@baumhydraulics.com

Fax: 1-800-832-2522 / www.baumhydraulics.com / © Baum Hydraulics Corporation

BAUM HYDRAULICS CORPORATION



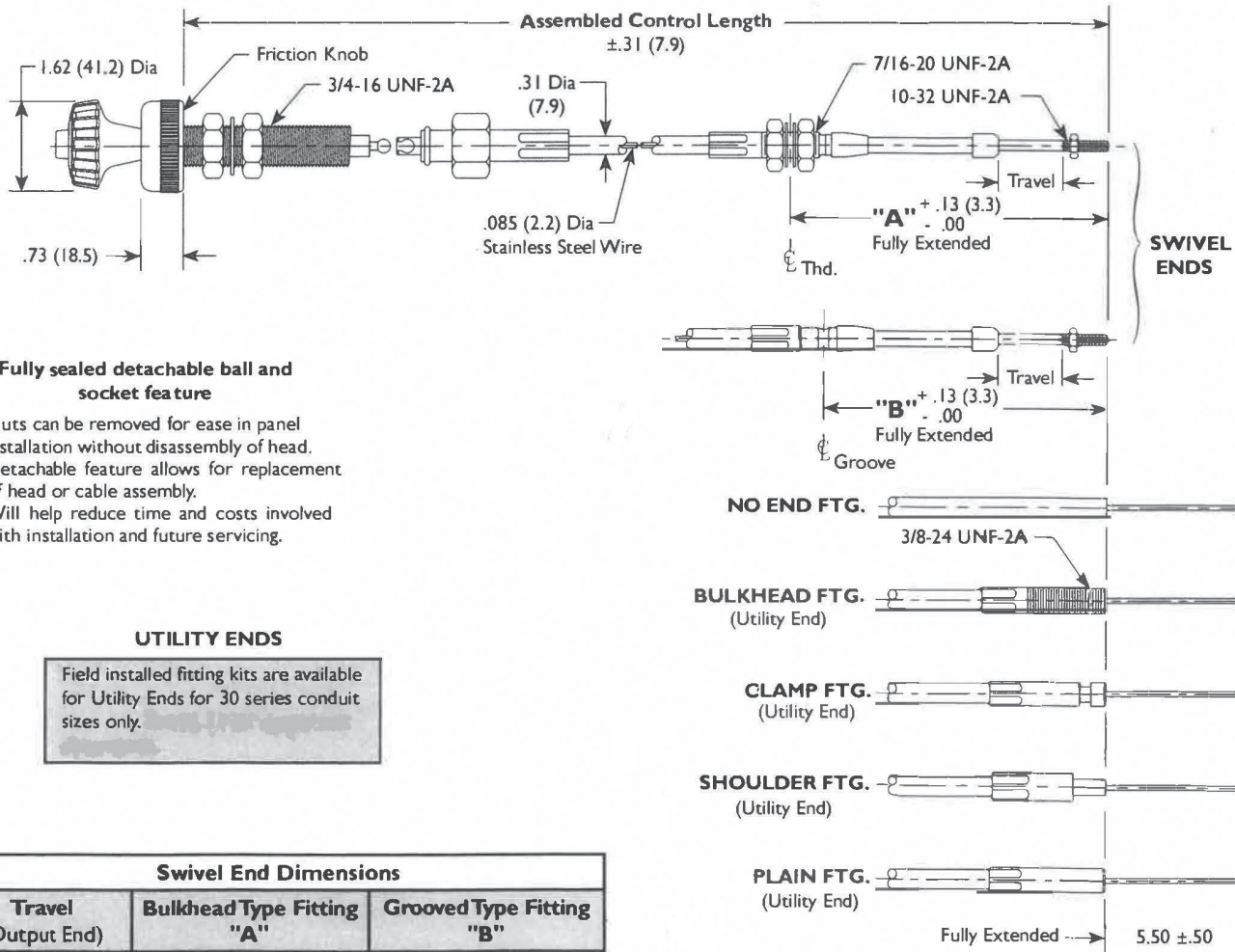
“Custom” 30 Series Vernier Control

30 SERIES VERNIER CONTROL

STANDARD CONSTRUCTION INCLUDES:

- .085 (2.2) Dia. Stainless Steel Wire
- .31 (7.9) Dia. Conduit
- 3" Travel in Head End
- 1", 2" or 3" Travel @ Swivel End (3" Travel Standard)
- Max Recommended Working Load 25 Lbs.

These controls are designed for use in applications where extremely precise settings, such as engine RPM's, are required. The "Red Button" in the center of the knob allows for "Coarse Adjustment". It also doubles as an "Emergency Button", by depressing it, you can return the Vernier to idle position in one quick stroke. The black outer portion of the knob is used for fine adjustment. The standard friction knob locks the control, totally eliminating creep. The fully threaded high strength composite body and internal lock ball design (which is captured and cannot fall out) provides increased load range and extended plunger life. The head can be disconnected to allow for easy installation of the Vernier by removing one nut.



Fully sealed detachable ball and socket feature

- Nuts can be removed for ease in panel installation without disassembly of head.
- Detachable feature allows for replacement of head or cable assembly.
- Will help reduce time and costs involved with installation and future servicing.

UTILITY ENDS

Field installed fitting kits are available for Utility Ends for 30 series conduit sizes only.

Swivel End Dimensions		
Travel (Output End)	Bulkhead Type Fitting "A"	Grooved Type Fitting "B"
1" (25.4)	4.88 (123.9)	4.30 (109.2)
2" (50.8)	6.87 (174.5)	6.31 (160.3)
3" (76.2)	8.88 (225.6)	8.30 (210.8)

Prices subject to change without notice. **ASK FOR QUANTITY DISCOUNT**



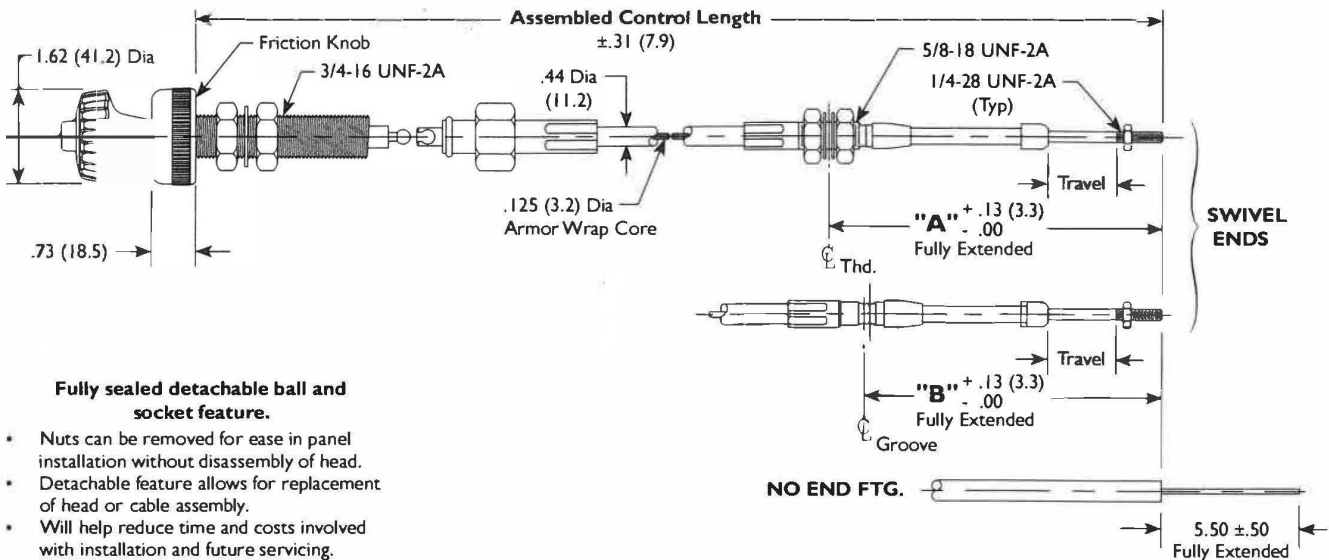
"Custom" 40 Series Vernier Control

40 SERIES VERNIER CONTROL

STANDARD CONSTRUCTION INCLUDES:

- .125 (3.2) Dia. Armor Wrap Core
- .44 (11.2) Dia. Conduit
- 3" Travel in Head End
- 1", 2" or 3" Travel @ Swivel End (3" Travel Standard)
- Max Recommended Working Load 25 Lbs.

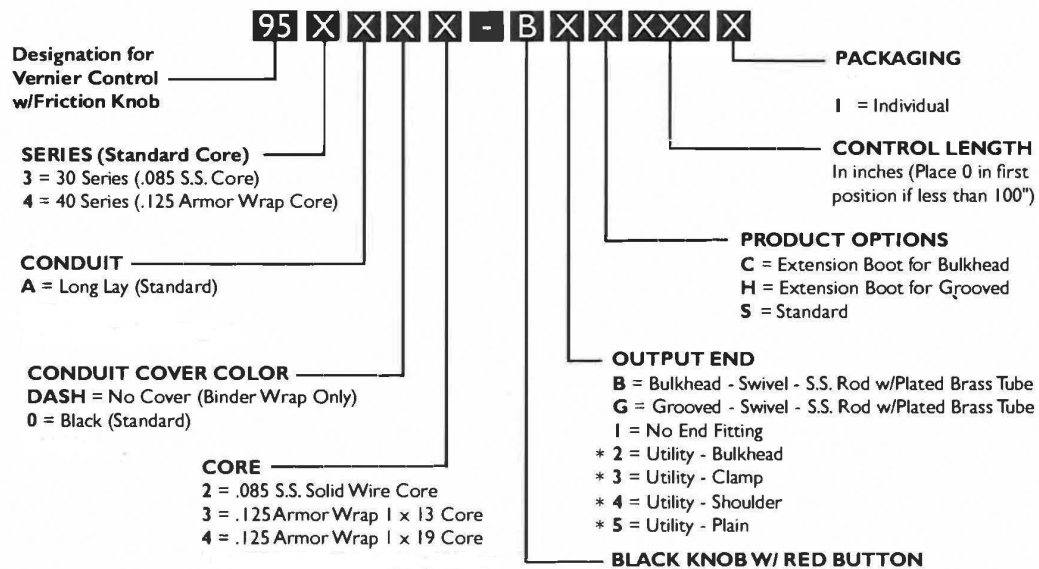
Swivel End Dimensions		
Travel (Output End)	Bulkhead Type Fitting "A"	Grooved Type Fitting "B"
1" (25.4)	5.13 (130.3)	4.50 (114.3)
2" (50.8)	7.13 (181.1)	6.50 (165.1)
3" (76.2)	9.13 (231.9)	8.50 (215.9)



- Fully sealed detachable ball and socket feature.
- Nuts can be removed for ease in panel installation without disassembly of head.
- Detachable feature allows for replacement of head or cable assembly.
- Will help reduce time and costs involved with installation and future servicing.



Part No. Code - "Custom" Vernier Controls



* Not available in 40 Series

ASK FOR QUANTITY DISCOUNT Prices subject to change without notice.



1-800-228-9222 / e-mail: sales@baumhydraulics.com
 Fax: 1-800-832-2522 / www.baumhydraulics.com / © Baum Hydraulics Corporation



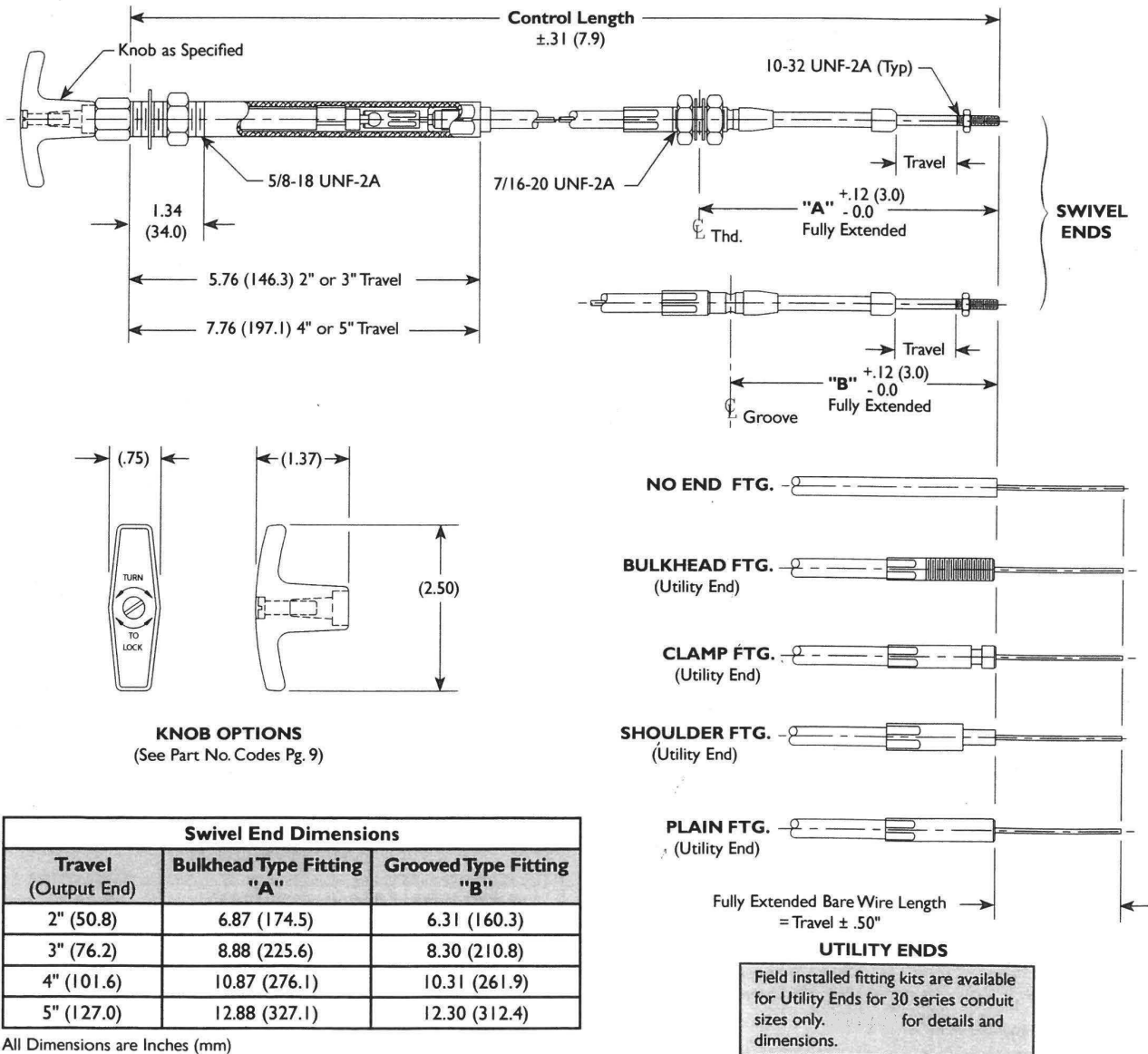
30 Series Turn-To-Lock Controls

30 SERIES CONTROL

STANDARD CONSTRUCTION INCLUDES:

- .085 (2.2) Dia. Stainless Steel Wire
- .31 (7.9) Dia. Conduit
- 3" or 5" Travel @ Handle End
- 2", 3", 4" or 5" Travel @ Swivel End
- 30 Series is Wescon's Standard Turn-To-Lock Control System

These controls are designed for use in applications where severe vibration may occur. By turning the "T" Knob either clockwise or counterclockwise the new Turn-To-Lock design will withstand vibration and has the capacity to hold greater loads than competitive designs. Unlike other designs, we have no metal to metal contact, thereby reducing wear in the unit. The control head is available in 3 or 5 inch travels which can accommodate a 1 to 5 inch travel at the output end. Wescon's new patented Turn-To-Lock control requires less torque to lock and unlock, has a rod seal to keep out contaminants and is temperature tested for a wide range of applications.



Prices subject to change without notice. **ASK FOR QUANTITY DISCOUNT**



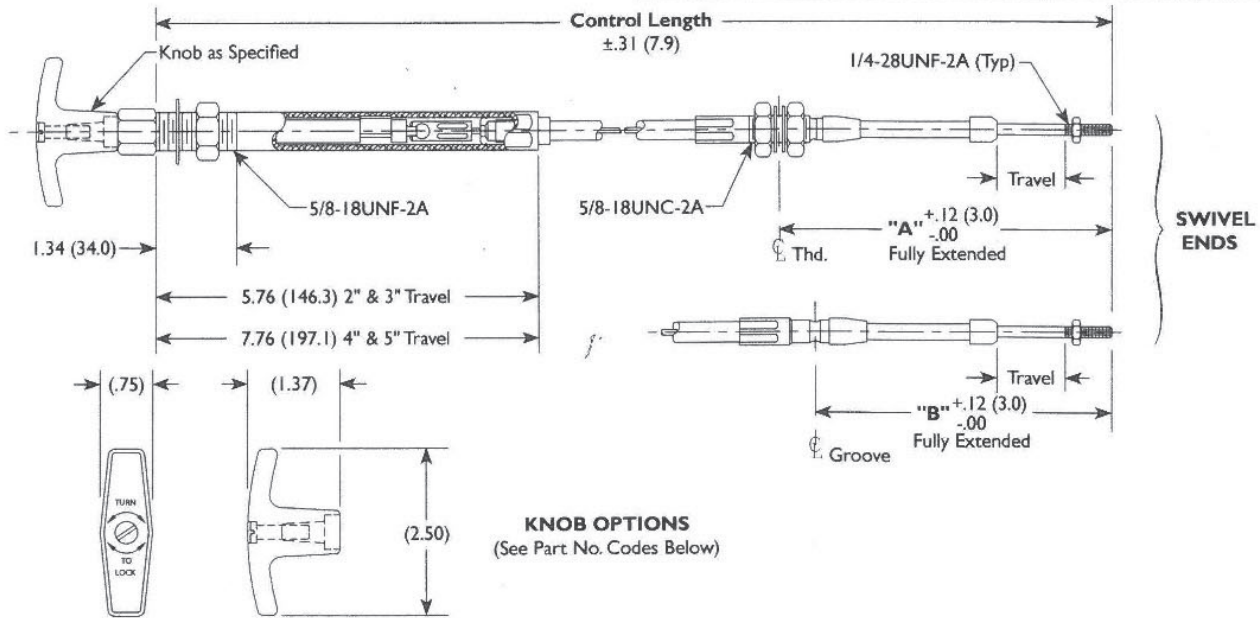
40 Series Turn-To-Lock Control

40 SERIES CONTROL

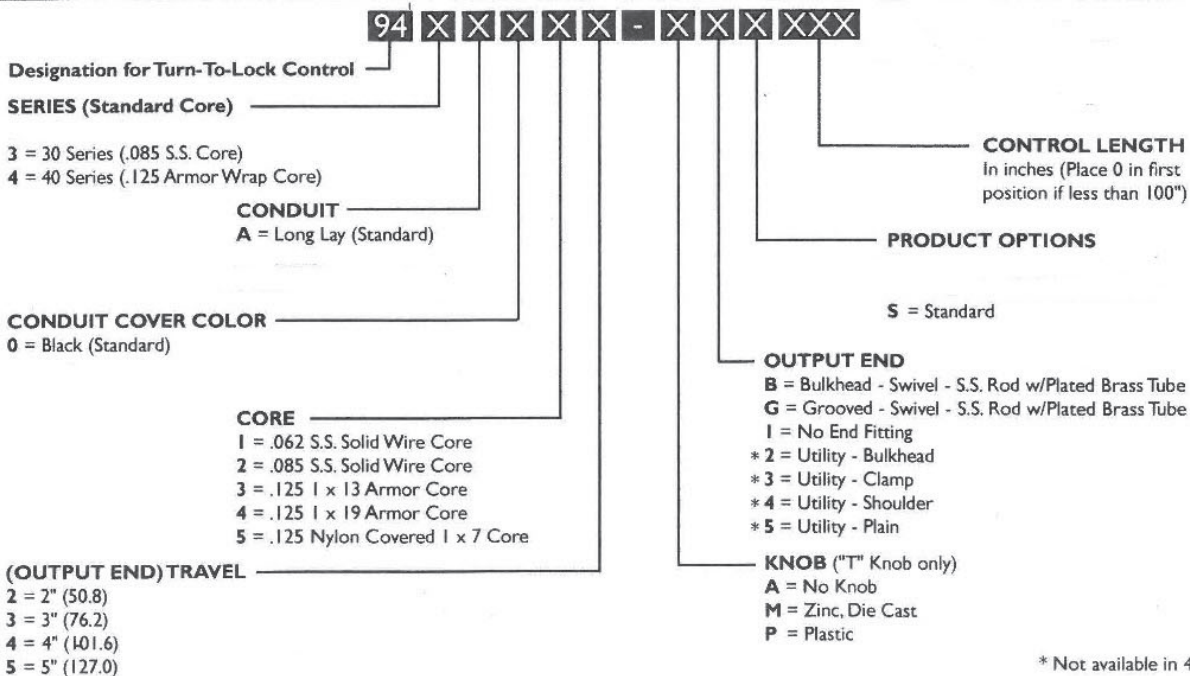
STANDARD CONSTRUCTION INCLUDES:

- .125 (3.2) Dia. Armor Wrap Core
- .44 (11.2) Dia. Conduit
- 3" or 5" Travel @ Handle End
- 2", 3", 4" or 5" Travel @ Swivel End

Swivel End Dimensions		
Travel (Output End)	Bulkhead Type Fitting "A"	Grooved Type Fitting "B"
2" (50.8)	7.13 (181.1)	6.50 (165.1)
3" (76.2)	9.13 (231.9)	8.50 (215.9)
4" (101.6)	11.13 (282.7)	10.50 (266.5)
5" (127.0)	13.13 (333.5)	12.50 (317.5)



Part No. Code - Turn-To-Lock Controls



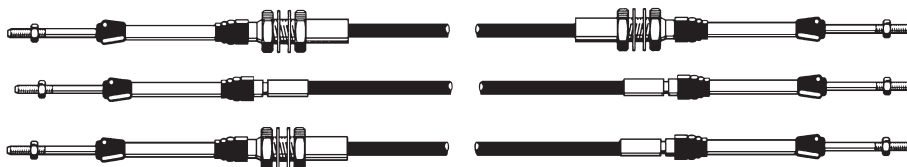
ASK FOR QUANTITY DISCOUNT Prices subject to change without notice.



1-800-228-9222 / e-mail: sales@baumhydraulics.com
 Fax: 1-800-832-2522 / www.baumhydraulics.com / © Baum Hydraulics Corporation

CONTROL CABLES FOR FARM EQUIPMENT

W17



Part Number	Part Number
ALLIS CHALMERS	CMC
1180699	M8352
1180700	M8584
1192127	M9120
1304731	M9257
1326337	M9322
1328811	M9668
1339931	
CASE	JOHN DEERE CONSTRUCTION
A59446	AT102246
A75815	AT102247
D47328	AT102248
D52915	AT102284
H165670	AT103148
H165688	AT117018
H169920	AT196237
H26220	AT43015
H265470	AT43960
H329441	AT45532
H337659	AT53873
H358200	AT55621
H381756	AT60330
H381764	
H393165	AT60406
H416123	AT62375
H433339	AT62376
	AT63305
H433340	AT67679
H550426	AT69360
H551705	AT74867
H556290	AT77593
H559690	AT80296
H559708	AT83335
H566919	AT83337
H569160	AT83372
H588376	
H590166	AT83373
H592493	AE29483
H592501	AE29484
H592584	AE37757
H593798	AE37758
H593806	AE45503
H640979	AE45890
H644401	AH76369
H645853	AH76767
H663641	AH76769
H663658	AH76830
	AH76831
L101033	AH76832
L101549	AH76833
L110913	AH76834
L112447	AH76835
L112448	AH76836
L112449	AH76837
L112450	AH76855
L112451	AH94489
L114592	AH94490
L116740	AH94491
L12450	AH94492
L12487	AH94493
L14299	
L32679	AH94494
L33717	AH94495
L35895	AH94496
L40314	AH94497
L42534	AH94498
L42992	AH96717
L43242	AH96718
L43243	AH97916
L49673	AH97917
L51160	AN122033
L60145	AN122251
Q127025	AN122252
R569160	AN190170
S219334	
S225083	
W11224	

Part Number
JOHN DEERE FARM EQUIPMENT
WIDROWER, Model No. 2320
AE37757 (High - Low)
WINDROWER, Model No. 3320, 2420
AE37758
WINDROWER, Model No. 3430, 3830
AE45890 (Gear Shift)
WINDROWER, Model No. 5200, 5400, 5440, 5460, 5720, 5820
AE29483
COTTON STRIPPER, Model No. 283
AN122251
AN122033
COTTON STRIPPER, Model No. 9940
AN190170
AN122252
FORAGE HARVESTER, Model # 5200, 5400
AE29484 (Shifting Cable)
AE29483 (Range)
FORAGE HARVESTER, Model No. 5440, 5460, 5720, 5820
AH76369 (Hydraulic Stat. Drive)
COMBINE, Model No. 3300
AH76855 (Gear Shift)
COMBINE, Model No. 4400, 4420
AH76767 (Gear Shift)
AH76769 (Gear Shift)
COMBINE, Model No. 6600 GEAR SHIFT
AH76830 (Belt Drive)
AH76834 (Hydraulic Stat. Drive)
SHIFT RANGE
AH76831 (Belt Drive Variable)
AH76835 (Hydraulic Stat. Drive)
AH76369 (Hydraulic Stat. Drive)
COMBINE, Model No. 6620 RANGE SHIFT
AH94489 (Posi-Torque Drive)
AH94491 (Hydraulic Stat. Drive)
GEAR SHIFT
AH94490 (Posi-Torque Drive)
AH94492 (Hydraulic Stat. Drive)
REVERSER CONTROL - 610301
AH96717 (Hydraulic Stat. Drive)
COMBINE, Model No. 6622
HYCYCLE SPRAYER
AH97916
AH97917
AH96718
COMBINE, Model No. 7700
AH76369 (Hydraulic Stat. Drive)
GEAR SHIFT
AH76832 (Belt Drive)
AH76836 (Hydraulic Stat. Drive)
RANGE SHIFT
AH76833 (Belt Drive)
AH76837 (Hydraulic Stat. Drive)
COMBINE, Model No. 7720 RANGE SHIFT
AH94493 (Posi-Torque Drive)
AH94495 (Hydraulic Stat. Drive)
GEAR SHIFT
AH94494 (Posi-Torque Drive)
AH94496 (Hydraulic Stat. Drive)
REVERSER CONTROL
AH96717 (Hydraulic Stat. Drive)

Part Number
FARMHAND
302845-000-0076
302845-000-0084
7530-2
7530-3
7530-4
7597-1
7597-13
7597-14
7597-15
7597-16
INTERNATIONAL HARVESTER
151909C91
165507C91
193280C1
214885H1
302702C91
344266C91
344267C91
354649C91
364535C91
371080C91
394552C1
400753C91
420023C91
423078C1
437156C1
439100C1
439101C1
439102C1
439103C1
463510C1
463511C1
484950C91
503153C91
503607C91
516965C1
518365C1
643523C92
65887C91
660843C91
664710C1
664844C91
767826C91
769857C91
795705C91
796830C1
863586C2
863728C1
864830C1
864831C1
866687C1
867205C1
870874C1
871300C1
871301C1
879044C91
880133C1
HESSTON
7022205
741892
741934
7721004
7741424
7826027
7826134
7893704
797829
8021487

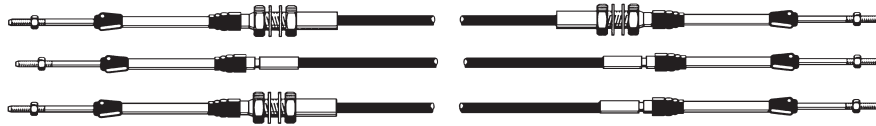
Part Number
KOEHRING
1291-25
1291-35
1291-38
1291-40
1291-55
1222-136
Massey Ferguson
280537M1
1465-881-M91
586-969-M1
537-703-M1
MF44B Wheel Loader (ITALY)
727-516-M91
4WD Tractor, Model No. 4840, 4880
586-969-M1
537-703-M1
860 Combine
280537M1
NEW HOLLAND
257410
528006
591364
597134
603113
609605
612250
612662
624133
635037
642442
644688
647158
647709
678608
678609
697562
707424
710412
790615
STEIGER
01-3901
01-4252
01-4481
02-4973X1
47-3739
60-4331T2
VERSATILE
10992
18731
20028
22498
35404
35405
35420
49192
75382
76559
76625
77525
90826
108422
WHITE
1511663
30-3069869
30-3069877
30-3069885
30-3329208
30-3403483

ASK FOR QUANTITY DISCOUNT Prices subject to change without notice.

BAUM HYDRAULICS CORPORATION

1-800-228-9222 / e-mail: sales@baumhydraulics.com
 Fax: 1-800-832-2522 / www.baumhydraulics.com / © Baum Hydraulics Corporation

CONTROL CABLES FOR HEAVY EQUIPMENT



WE HAVE AVAILABLE THE O.E.M. CABLE NUMBERS LISTED ON THE PREVIOUS AND FOLLOWING PAGE. CALL FOR PRICES.

Part Number	Part Number	Part Number	Part Number	Part Number	Part Number	
A.L. LEE CORP. (Mine Equip. Co.) 038011-003-0136.0 038011-003-0144.0 048711-000-060.0 048711-000-0136.0 068357-003-0096.0	Challenge (Cont'd) 1340246 1340247 1340248 1340249 1340250 1340252 1340253 1340254 1340255 1340256 1340257 1340264 1340266 1340267 1340268 1340274 1340275 1340276 1340277 1340282	CLARK (Cont'd) 2550560 2553486 2675546 3675483 3675518 3675546 442344 5204702 5205985 5207413 5207414 5207418 5207455 5308053 5308054 5340177 991134 992538	DIAMOND REO 619-H4 653-H4 695-H4 835-H4 836-H4 882-H4 883-H4 1009-H4 1032-H4 1033-H4 1120-H4 1121-H4 1129-H4 1130-H4 1134-H4 1196-H4 1257-H4 1422-H4	FMC 49J0059 50J0930 50J0974 50J1028 50J1029 59A0576 59A0878 62W3147	INDUSTRIAL IRRIGATION 43820-3-60	
AMERICAN COLEMAN Yardspotters - Airline Two Tugs 22721C9 56186	1340266 1340267 1340268 1340274 1340275 1340276 1340277 1340282	CMC (Mixers) M3119 M8351 M8392 M8393 M8484 M8485 M8486 M8487 M8488 M8684 M9036 M9908	ERICKSON CORP. 27-1539	GALLION Mfg.-Crane 068357-002-0064.0 293134 D104154 D104158 D104282 D108793 D112726 D112728 D113509 D114899 D117279 D119001 D130964 D142191 D150611 H031081 H039454 H052683 H056343 H057168 H057168-A H062102A H086671 H089086 H153524 H161231 H30966 H31081 H31263 H44075-A H46381 H52683 H56343 H57168-A H74523 H74524 H86671 H89086 H91795	JAEGER, MCNEILUS, & T.L. SMITH - Cement Mixer MTM00805 MTM00806 MTM00807 MTM00808 MTM00809 MTM00810 MTM00811 MTM00812 MTM00813 MTM00814 MTM00815 MTM00816 MTM00817 MTM00821 MTM00822 MTM00823 MTM00824 MTM00825 MTM00826 MTM00827 MTM00828 MTM00829 MTM00835 MTM00836 MTM00837 MTM00838 MTM00839 MTM00840 MTM00841 MTM00842 MTM00843 MTM00844 MTM00845 MTM00846 MTM00847 MTM00848 MTM00849 MTM00850 MTM00851 MTM00852 MTM00853 MTM00854 MTM00855 MTM00856 MTM00857 MTM00858 MTM00859	
AMERICAN SNOWBLAST 80741 80834 80894 81161	1340344 1340345 1340346 1340352 1340353 1340355 1340362 1340382 1340397	COLT INDUSTRIES Quincy Compressors 42BC-36 42BC-40 42BC-45 42BC-50 42BC-66 42BC-66 239-0457	FEDERAL MOGUL (Target Prod. Div.) Concrete Saws & Road Resurfacers OP700213 OP700330	H057168 H057168-A H062102A H086671 H089086 H153524 H161231 H30966 H31081 H31263 H44075-A H46381 H52683 H56343 H57168-A H74523 H74524 H86671 H89086 H91795		
ARROW Concrete Hammers - Mobile Unit 4001392 4001557	1340344 1340345 1340346 1340352 1340353 1340355 1340362 1340382 1340397	DART (Curbmaster, Inc.) 43B-8 63B-108 301127-2-216 63B-90 63B-144	FMC A1J0060 18J5313 23658 26A201 28J2204 29F59 31J1886 31J2299 31J2950 31J3024 31J3031 31J391 31J518 32J1929 32J1991 32J996 36A0752 36J1588 36J2206 36J3279 37A1610 37A1611 38J0614 38J1018 39J0663 39J0785 41J0212 41J0364 41J0463 41J1378 41J1381 41J1389 41J1390 41J1412 41J1721 41J1722 41N0361 4183683 43J0940 45F0062 45J1208 46J1404 47F0028 47J2025	H057168 H057168-A H062102A H086671 H089086 H153524 H161231 H30966 H31081 H31263 H44075-A H46381 H52683 H56343 H57168-A H74523 H74524 H86671 H89086 H91795		
BIG A (RICKEL) 015719 027520 028548	1340344 1340345 1340346 1340352 1340353 1340355 1340362 1340382 1340397	DIAMOND REO 2227-H4-323 2227-H4-330 2227-H4-343 2227-H4-345 2227-H4-350 2227-H4-357 2966-T3-1 2966-T3-2 2966-T3-3 2966-T3-4 2966-T3-5 2966-T3-6 592-H4-1 592-H4-2 592-H4-3 592-H4-4 592-H4-5 592-H4-6 592-H4-7 592-H4-8 592-H4-9 592-H4-10 592-H4-11 592-H4-12 594-H4	GROVE CRANE 7246000428 7246000431 7246000446 7246000459 7246000469 7246000472 7246000544 7246000642			
BROCKWAY - Motor Trucks 250274 250278 250291 250301 250346 250409 250435 517690 526143	1340344 1340345 1340346 1340352 1340353 1340355 1340362 1340382 1340397			GMC 2017896 2025698 2046166 687894 688798 693921 697380 698924 702650 724019		
BRODERSON MFG. Mobile Crane and Hammers 0-600-6312 0-600-40188 0-600-40222 0-600-66316	1340344 1340345 1340346 1340352 1340353 1340355 1340362 1340382 1340397					
CEDAR RAPIDS, INC. (IOWA MFG.) Road Pavers and Rock Crushers 45675-007-01 45675-007-02 45675-007-003	1340344 1340345 1340346 1340352 1340353 1340355 1340362 1340382 1340397					
CENTRAL MINING EQUIPMENT 83153 (11 Foot) 83153 (12 Foot)	1340344 1340345 1340346 1340352 1340353 1340355 1340362 1340382 1340397					
CHALLENGE COOK 1340222 1340228 1340232 1340233 1340234 1340235 1340236 1340237 1340238 1340239 1340240 1340245	1340344 1340345 1340346 1340352 1340353 1340355 1340362 1340382 1340397					

JARVIS CLARK
(John Clark)
037912-003-0096.0
048711-000-0030.0

**CABLES
BUILT
TO YOUR
SPECIFICATION**

**CALL US
FOR A
PRICE
QUOTE**

Prices subject to change without notice. **ASK FOR QUANTITY DISCOUNT**

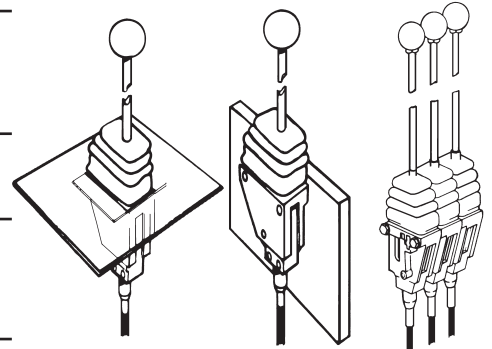
CONTROL CABLES FOR HEAVY EQUIPMENT

W19



Part Number	Part Number	Part Number	Part Number	Part Number	Part Number
HAGIE Mfg.-Sprayer 785004	HARNISHFEGER (Cont'd)	HYSTER (Cont'd)	MACK TRUCK	PITMAN MFG. 267004260	RIMPULL CORP. - Mining Trucks
HARNISHFEGER CORPORATION	6Q11-D80	393085	27RC229P1	REX - Mixers	180-245-156-120
6Q11-D1	6Q11-D81	75400	27RC229P2	102-6372-3	180-245-156-156
6Q11-D2	6Q11-D82	82217	27RC229P3	102-7244-1	2-151-002415
6Q11-D3	6Q11-D83	KOEHRING	27RC229P4	102-7244-2	RIVINIUS, INC.
6Q11-D10	6Q156-D2	061080751	27RC229P5	102-7244-3	60657200
6Q11-D11	6Q156-D3	1291-9	27RC229P6	102-7244-4	609546000
6Q11-D12	6Q156-D4	1291-65	27RC229P7	102-7244-5	61105000
6Q11-D13	6Q156-D5	1291-66	27RC229P8	102-7244-6	61128000
6Q11-D15	6Q156-D6	1291-67	27RC29307	102-7244-7	T. J. SMITH
6Q11-D16	6Q156-D7	1291-71	27RC29307P2	102-7244-8	Railroad Shuttle
6Q11-D17	6Q156-D8	1291-73	27RC29307P3	102-7244-9	Wagon - Yardspotter
6Q11-D20	6Q156-D9	1291-79	27RC29307P4	102-7244-10	- Cline Truck
6Q11-D24	6Q156-D10	1291-80	27RC318P1	102-7244-11	2-151-008841
6Q11-D27	6Q156-D11	1291-87	27RC318P2	102-7244-12	2-151-010302
6Q11-D28	6Q156-D12	1291-88	27RC318P3	102-7244-13	2-151-013445
6Q11-D29	6Q156-D13	1291-89	27RC318P5	102-7244-14	2-151-016876
6Q11-D30	6Q156-D14	1291-90	27RC318P6	102-7244-15	2-151-021139
6Q11-D31	6Q156-D15	1291-91	27RC318P7	102-7244-16	2-151-022415
6Q11-D32	6Q156-D16	1291-93	27RC318P8	102-7244-17	2-151-024360
6Q11-D33	6Q156-D17	1291-96	27RC318P9	102-7244-18	2-151-024901
6Q11-D34	6Q156-D18	1291-97	27RC318P10	102-7244-19	2-151-027265
6Q11-D35	6Q156-D19	1291-98	27RC320P1	102-7244-20	2-151-029675
6Q11-D36	6Q156-D20	1291-104	27RC320P2	102-7244-21	TOWMOTOR CORP.
6Q11-D37	6Q156-D21	1291-105	27RC320P3	102-7244-22	339491
6Q11-D38	6Q156-D22	1291-110	27RC321P1	102-7244-23	683181
6Q11-D39	6Q156-D23	1291-111	27RC321P2	102-7244-24	VERMEER
6Q11-D40	6Q156-D24	1291-113	27RC321P3	102-7244-25	10609-001
6Q11-D41	6Q156-D25	1291-114	27RC39304P1	102-7244-26	15787-01
6Q11-D42	6Q156-D26	1291-124	27RC39306	102-7554-1	2777-001
6Q11-D43	6Q156-D27	1291-125	27RC39AP1	102-7554-2	2778-001
6Q11-D44	6Q25901	1291-127	27RC39AP2	102-7554-3	2779-001
6Q11-D46	6Q249010	1291-130	27RC39AP3	102-7554-4	2780-001
6Q11-D47	HOUGH INTERNAT'L	1291-132	27RC39AP4	102-7554-5	2781-001
6Q11-D48	1213765C1	1291-133	27RC39AP5	102-7554-6	2782-001
6Q11-D49	65887C91	1291-134	27RC39AP6	102-7554-7	2783-001
6Q11-D50	879044C91	1291-135	MCKEE BROTHERS	102-7554-8	2807-001
6Q11-D51	880133C1	1291-136	37913-3-96	107-172-6	2810-001
6Q11-D52	885321C1	1291-144	38013-3-72	107-172-8	64099-001
6Q11-D53	HYSTER	1291-148	MCNEILUS - Mixer	107-172-12	64100-001
6Q11-D54	125470	1291-156	115017	107-282-6	WABCO
6Q11-D55	132974	1291-166	115022	298-00155-47	PB2680
6Q11-D56	133758	A130105	OTTAWA TRUCK - Yardspotter	298-0156-47	PB3556
6Q11-D57	180695	KRESS CORP.	53109321	298-0221-47	PB4278
6Q11-D58	181678	Mining Equipment	53518146		PB4441
6Q11-D59	184626	20083	53518147		
6Q11-D60	203578	24100	90001180		
6Q11-D61	213895	27421	90001588		
6Q11-D62	228155	28715	90001589		
6Q11-D63	249288	29324	90714079		
6Q11-D64	249440	61227	SS1295		
6Q11-D65	249776	66243	PETTIBONE CORP.		
6Q11-D66	249777	LOCKWOOD CORP.	08-7552		
6Q11-D67	249778	117053-5	32247-9		
6Q11-D68	249779	47540-84	CM-23-28		
6Q11-D69	250783	47540-120	CM-23-44		
6Q11-D70	253821	L-00541-00101	L-7653		
6Q11-D71	253822	L-00541-00106	L-7653-4		
6Q11-D72	262468	L00541-0092	LA-560-3		
6Q11-D73	262469	L004427-6315	LL-3331-1		
6Q11-D74	390317	L004627-03832	PORTADRILL		
6Q11-D75	390318	PO4754-00072	038013-003-0084.0		
6Q11-D76	390396	MACK TRUCK	038013-003-0120.0		
6Q11-D77	391661	21QB3158	038013-003-0144.0		
6Q11-D78	391662	21QB3158P2	038013-003-0156.0		
6Q11-D79	391875	21QB3158P3	038013-003-0168.0		
	391876	27RC150	038013-003-0180.0		
	392014	27RC152	038013-003-0200.0		
			038013-003-0204.0		
			038013-003-0216.0		
			038013-003-0260.0		
			038013-003-0264.0		

Choose From Three Control Head Mountings



Flush Mounting

Side Mounting

Banked Together

ASK FOR QUANTITY DISCOUNT

Prices subject to change without notice.

BAUM HYDRAULICS CORPORATION

1-800-228-9222 / e-mail: sales@baumhydraulics.com

Fax: 1-800-832-2522 / www.baumhydraulics.com / © Baum Hydraulics Corporation