

PINTLE HOOKS, DRAWBARS and KING PINS

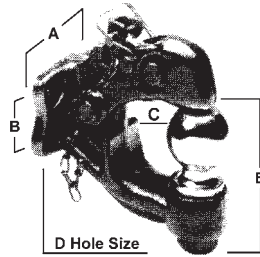
DO NOT WELD OR MODIFY ANY PINTLE HOOK



2043100



2050107

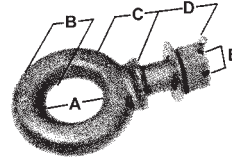


2077119
2078120

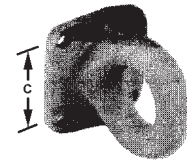
MADE IN USA



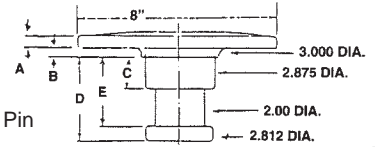
1Q09331
2056113
2057114



Tow Rings
2061127
2062128



Tow Rings
2066134
2067135



King Pin

Part Number	Description	Recommended Eye Size	A	B	C	D	E	Max. Vertical Load Lbs.	Capacity Tons	Wt. Lbs.	Our Sequence Number	Per Each
-------------	-------------	----------------------	---	---	---	---	---	-------------------------	---------------	----------	---------------------	----------

SPRING CUSHION SWIVEL

2043100	15 Ton	2-3/8 to 3	7-7/8	9-11/16	1-7/8	17/32	1-1/2	4,000	15	33-1/2	586010	\$213.55
----------------	--------	------------	-------	---------	-------	-------	-------	-------	----	--------	--------	-----------------

HEAVY DUTY SWIVEL - Mounting Bracket (Holes 6-1/2 center to center)

2050107	B30	3	8-3/4	4-15/16	1-3/4	25/32	1-3/4	9,800	30	38	586008	327.56
----------------	-----	---	-------	---------	-------	-------	-------	-------	----	----	--------	---------------

LIGHT & HEAVY DUTY RIGID

1Q09331	R5 Ton	2-3/8 to 3	3-3/8	1-3/4	1-3/4	17/32	--	2,000	5	8	586002	59.97
2056113	R15 Ton	2-3/8 to 3	3-3/8	1-3/4	1-7/8	17/32	--	6,000	15	11	586004	86.43
2057114	R20 Ton	2-3/8 to 3	3-3/8	1-3/4	1-7/8	19/32	--	8,000	20	12-1/4	586006	108.03

STANDARD DUAL PURPOSE HITCH

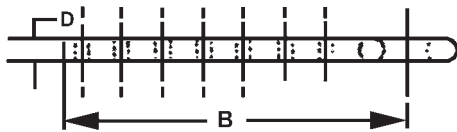
2077119	DPH2000	2 to 2-1/2	3-3/8	1-3/4	1-7/8	17/32	4-3/16	10,000	8	13	586012	129.48
2078120	DPH2516	2-1/2	3-3/8	1-3/4	1-7/8	17/32	4	10,000	8	14	586014	138.11
2100185	50PH/DPH	2" Replacement Ball for 2077119									586016	34.39
2101186	50PH/DPH	2-5/16" Replacement Ball for 2078120									586018	35.74

TOW RINGS

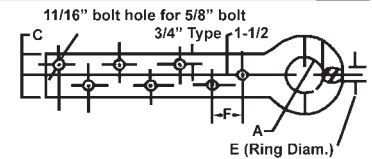
2061127	D-50-A	Round	2-1/2	1-1/2	3-1/8	3-1/4	1-1/2	3,000	10	10	586032	78.09
2062128	D-51-B	Round	3	1-5/8	3-1/4	4	2	6,500	25	16-1/2	586034	100.07
1Q09330	R-49-A	4 Bolt	2-1/2	6	4-1/2	21/32 hole	1-3/8	6,000	21	15	586027	79.49
2066134	R-50-A	4 Bolt	2-1/2	1-3/8	4-1/2	21/32 hole	1-3/8	7,000	24	15	586028	104.70
2067135	R-51-A	4 Bolt	3	1-5/8	4-1/2	25/32 hole	1-5/8	19,000	33	21	586030	140.59

KING PINS

2084194	KP-38-A		.38	.38	1.294	3.317	2.755			16	586020	93.76
2084195	KP-50-A		.38	.50	1.294	3.317	2.755			16	586022	93.76

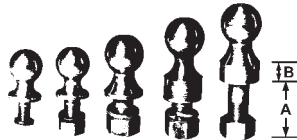


DRAWBARS



Part Number	Description	Eye I.D. Inches	Shank Type	A	B	C	D	E	F	Vertical Load Lbs.	Capacity Tons	Wt. Lbs.	Our Sequence Number	Per Each
2065137	0-43-D	2-1/2	Rectangle	2-1/2	17-1/2	3	1-1/4	1-1/4	2	4,000	10	20	586024	\$116.95
1111238	0-52-D	3	Rectangle	3	17-1/4	3	1-5/8	1-5/8	2	4,500	11	27	5860265	133.77

SOLID STEEL BALLS



Part Number	Description	Ball Diameter Inches	Shank Diam.	Thread Size	Finish Type	B Rise Inches	A Max. Trailer Weight	Shank Length Inches	Weight Pounds	Our Sequence Number	Per Each
2324216	CBH1A	1-7/8	x	3/4	10	Chrome	2,000	1-3/4	1-1/2	586100	\$9.16
2357126	CBH2A	2	x	3/4	10	Chrome	3,500	1-3/4	1-3/4	586102	9.16
2395100		2	x	1	14	Plain	5,000	2	6	586104	33.00
2395210		2-5/16	x	1-1/4	12	Plain	10,000	3-1/2	5	586106	32.76
2395230		2-5/16	x	1-1/2	12	Plain	7,000	2-1/2	6	586108	34.06
2395220		2-5/16	x	1-1/4	12	Plain	5,000	2-1/2	5	586110	39.94

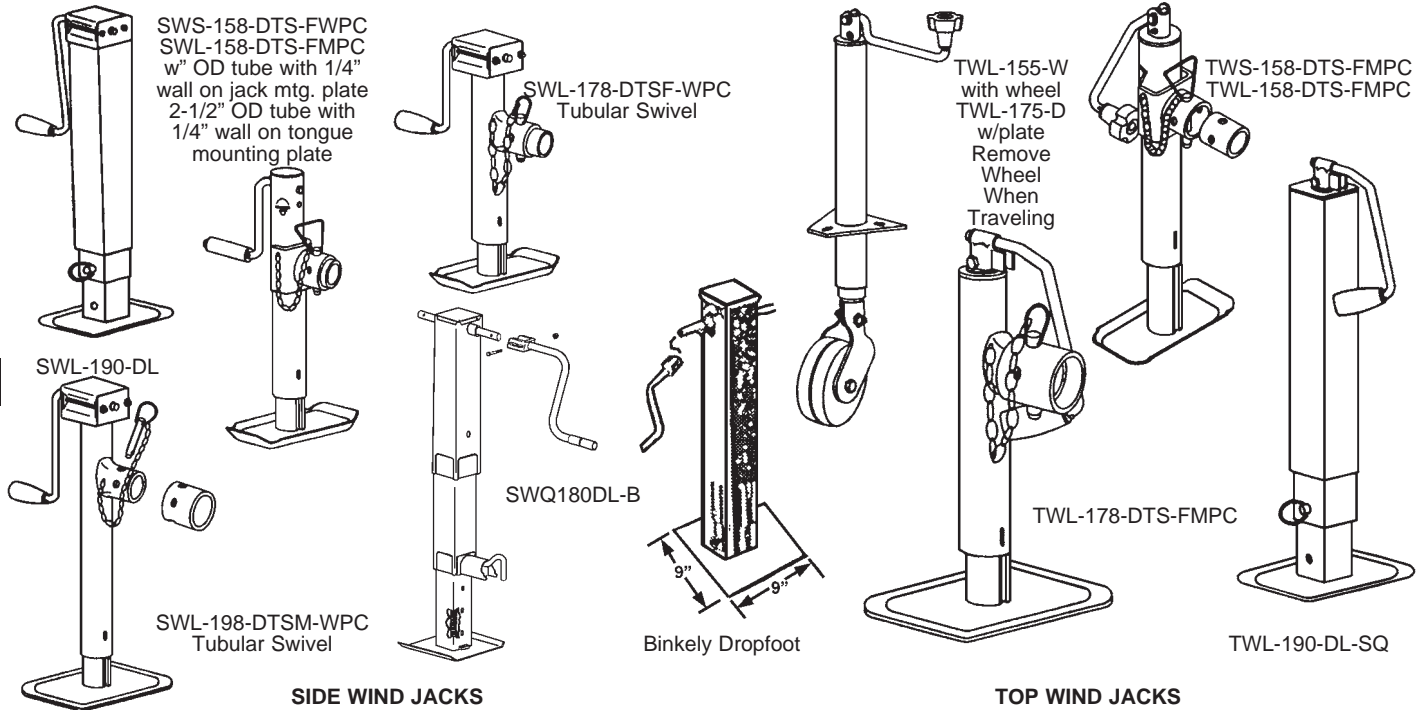
High Strength Balls

2325217	CBH3A	2	x	1	14	Chrome	6,000	2	2	586111	9.93
2358127	CBH8A	2	x	1	14	Plain	10,000	2-1/4	2-1/2	586112	27.81
2325200	CBH9A	2-5/16	x	1	14	Plain	10,000	2-1/4	3	586114	27.81
2325201	CBH10A	2-5/16	x	1-1/4	12	Plain	20,000	3	5	586115	37.91
2325222	CB3A	2-5/16	x	1-1/4	12	Plain	30,000	2-5/8	5	586116	33.53
2083163	BH5A	3	x	2	12	Plain	40,000	3-1/4	11-1/2	586118	54.66

High Rise Round & Hex Collar Balls

251640SQ		2-5/16	x	1-3/8	12	Plain	40,000	2-1/2	5-1/2	586120	52.98
212516SQ		2-5/16	x	1-1/4	12	Plain	30,000	3-1/2	6-1/2	586122	48.64
212380SQ		2-5/16	x	1-3/8	12	Plain	30,000	3-3/4	7	586124	41.84
2325220	BH2 Rise	2-5/16	x	1-1/2	12	Plain	30,000	3	8-1/4	586126	37.50

Pkg. Qty. Discs: 5% for 2 pkgs., 10% for 5 pkgs.



SIDE WIND JACKS

TOP WIND JACKS

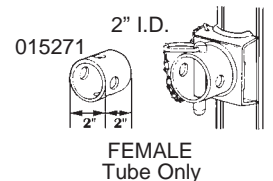
Length	Jack Number	Vertical Travel Inches	Center Mounting Height Ins From Ground Retracted	Wt. Lbs.	Our Sequence Number	PAINTED GREY Per Each	Jack Number	Vertical Travel Inches	Center Mounting Height Ins. From Ground Retracted	Wt. Lbs.	Our Sequence Number	PAINTED GREY Per Each
1,000 LB. MEDIUM A-FRAME MOUNT - NON-SWIVEL WITH WHEEL												
Long	-----					\$....	TWL-155-W	15	12	17.5	104510	\$84.91
2,000 LB. MEDIUM TUBULAR MOUNT - SWIVEL												
Short	SWS-158-DTS-FWPC	10	11-1/4	14.0	104500	102.39	TWS-158-DTS-FMPC	10	11-1/4	13.5	104580	69.28
Long	SWL-158-DTS-FWPC	15	14-1/2	16.0	104470	92.85	TWL-158-DTS-FMPC	15	14-1/2	16.0	104520	95.69
5,000 LB. HEAVY A-FRAME MOUNT JACKS to FIT 2B-8, 2A-8, 4B-8, 1B-8, 1A-8 COUPLERS - NON-SWIVEL WITH PLATE												
Long	-----					TWL-175-D	15	12-1/4	15.3	104540	67.10
5,000 LB. HEAVY TUBULAR MOUNT - SWIVEL												
Long	SWL-178-DTSF-WPC	15	15	18.0	104625	96.16	TWL-178-DTS-FMPC	15	14-1/2	18.0	104550	105.27
7,000 LB. EXTRA HEAVY TUBULAR MOUNT - SWIVEL												
Long	SWL-198-DTSM-WPC	15	15-3/4	21.0	104645	97.70	-----				
7,000 LB. EXTRA HEAVY SQUARE DROP FOOT - WELD-ON - NO MOUNT												
Long	SWL-190-DL	15	--	26.0	104655	124.39	TWL-190-DL-SQ				104650	122.84
12,000 LB. (10,000 LB. LIFT CAPACITY) GIANT SQUARE DROP LEG - WELD-ON - NO MOUNT												
---	SWQ180DL-B	12.5	--	55.7	104400	252.67	-----				

Qty. Disc: 11.4% for 10 pcs., 17.3% for 25 pcs.

Date: 3300

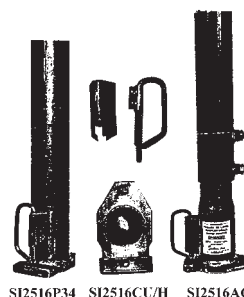
REPAIR PARTS FOR HAMMERBLOW BULL DOG JACKS

Part Number	Sequence No.	Per Each	Description
015271	105420	\$9.89	Female tubular swivel bracket for 158 & 178 series weld-on jacks.
015273	105430	6.22	Male tubular swivel bracket for 158 & 178 series jacks with 9/16" pin hole
015904	105450	4.69	Snap ring for 150 & 160 series jacks; also Atwood jacks.
018917	105630	9.20	Crank handle assembly for NEW Topwind jacks series 150 & 170.
500105	469005	14.83	Crank assembly for sidewind SW170 series.
015181	105618	32.32	Crank assembly for sidewind SWQ180DL-B jack.
500171	105612	24.34	Crank assembly for sidewind SW190 series.
500223	105595	12.97	Bearing and washer for final assembly for 170 series.
018403	105552	8.38	9/16" pin and chain



STALLION COUPLING FOR GOOSENECK TRAILERS FOR HORSE & STOCK AND UTILITY TRAILERS

Part Number	Our Sequence Number	Per Each	GTW Lbs.	Wt. Lbs.	Use Ball No.
4-1/2" O.D. x 1/4" Wall Tube Assembly Use 2-5/16" Ball					
SI2516P34	167622	\$175.23	26,000	40	212516 Sq
Coupling Unit with Handle No Pipe Use 2-5/16" Ball					
SI2516CU/H	167624	149.53	26,000	9	212516 Sq
Adjustable Seamless Coupling with Handle Use 2-5/16" Ball					
SI2516AC	167628	272.11	26,000	50	212516 Sq



Unpainted Self-colored-assembly - 34 inches. There is a fixed lower plate & sliding upper plate, both of which fit over neck of ball. Put hitch over ball, then sliding plate engages neck of ball, and spring loaded handle with pin holds sliding plate against neck of ball. To disengage ball, raise handle up, & push sliding plate over. Order 2-5/16" Ball Separately. P34-Coupling and pipe 34" high CU/H-with handle, no pipe. Weld your own on.



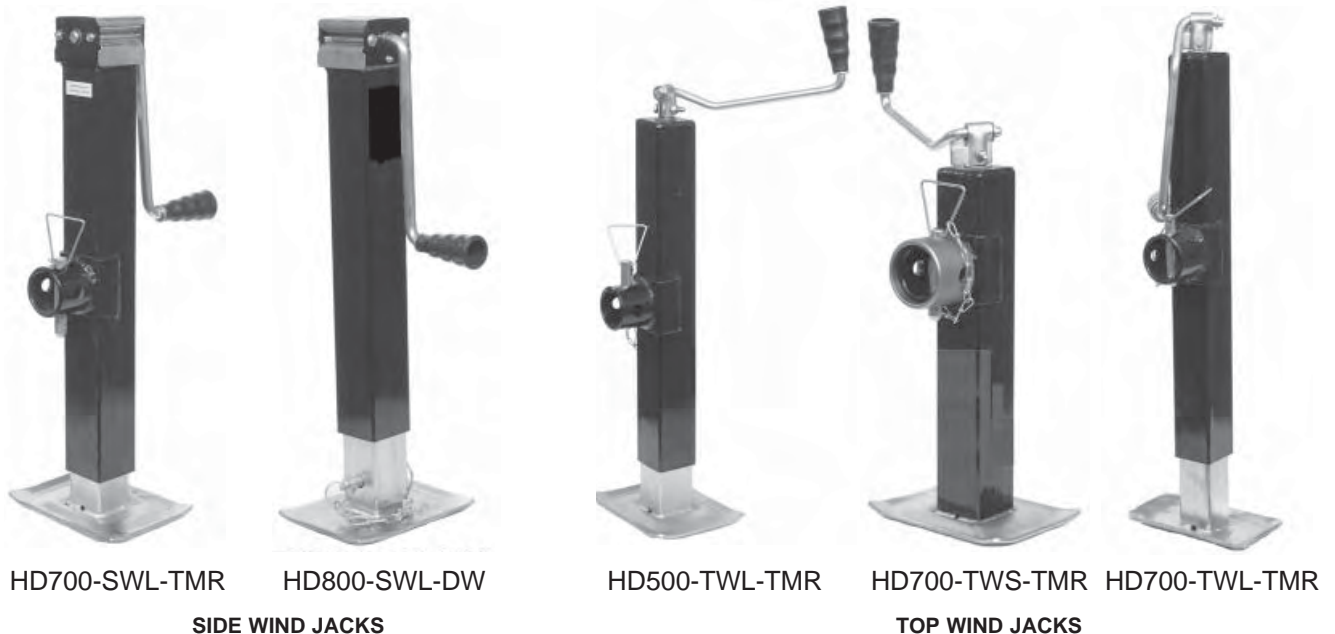
RD200-SWL-TMR
RD200-SWS-TMR

HD500-SWL-TMR

RD200-TWS-RRSM
RD200-TWL-RRSM

RD200-TWS-TMR

RD200-TWL-TMR



HD700-SWL-TMR

HD800-SWL-DW

HD500-TWL-TMR

HD700-TWS-TMR

HD700-TWL-TMR

SIDE WIND JACKS

TOP WIND JACKS

Length	Jack Number	Vertical Travel Inches	Center Mounting Height Ins From Ground Retracted	Wt. Lbs.	Our Sequence Number	PAINTED BLACK Per Each	Jack Number	Vertical Travel Inches	Center Mounting Height Ins. From Ground Retracted	Wt. Lbs.	Our Sequence Number	PAINTED BLACK Per Each
ROUND 2,000 LB. MEDIUM SNAP RING MOUNT - SWIVEL												
Short	-----					\$....	RD200-TWS-RRSM	10	11.7	10.6	189820	\$52.55
Long	-----					RD200-TWL-RRSM	15	15.2	11.2	189822	57.08
ROUND 2,000 LB. MEDIUM TUBULAR MOUNT - SWIVEL												
Short	RD200-SWS-TMR	10	10.7	14.5	189800	32.47	RD200-TWS-TMR	10	11	13.6	189810	32.90
Long	RD200-SWL-TMR	15	14.6	18.9	189802	48.00	RD200-TWL-TMR	15	14.5	18.2	189812	38.72
SQUARE 5,000 LB. TUBULAR MOUNT - SWIVEL												
Long	HD500-SWL-TMR	15	15.5	18.6	189804	69.73	HD500-TWL-TMR	15	14.6	19.2	189814	75.36
SQUARE 7,000 LB. EXTRA HEAVY TUBULAR MOUNT - SWIVEL												
Short	-----					HD700-TWS-TMR	10	12	18.0	189816	46.60
Long	HD700-SWL-TMR	15	15	--	189806	82.96	HD700-TWL-TMR	15	12.1	24.0	189818	92.90
8,000 LB. EXTRA HEAVY SQUARE DROP FOOT - WELD-ON - NO MOUNT												
Long	HD800-SWL-DW	15	21.5	24.0	189808	80.77					

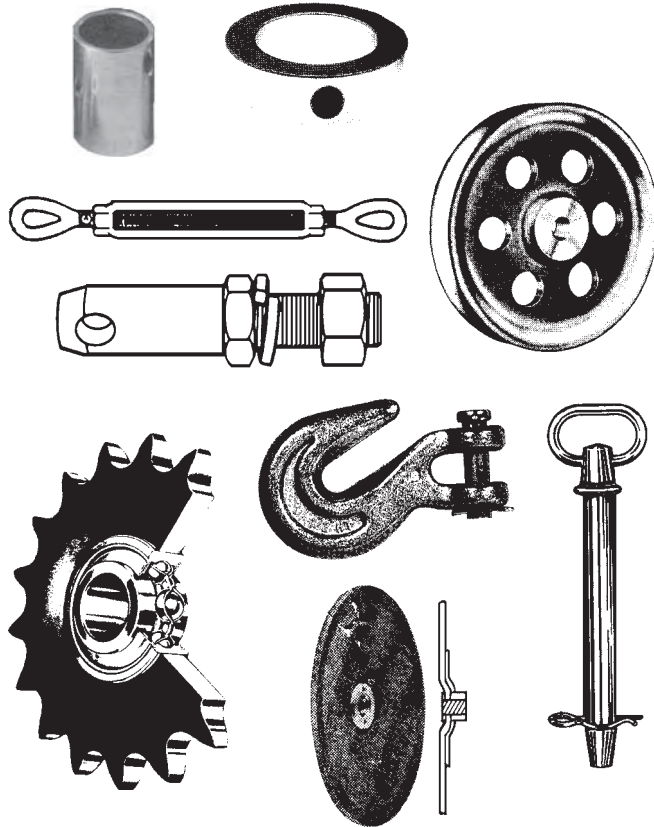
Date: 3300

REPAIR PARTS FOR JACKS

Part Number	Our Sequence Number	Per Each	Description
P200-100	189824	\$4.12	9/16 Male weld-on trailer mount for 200 series
P500-100	189826	3.70	5/8 Male weld-on trailer mount for 500 series
P700-100	189828	6.17	Female weld-on trailer mount for 700 series
PRD200-061	189835	4.67	Pin for RD200 round jacks
P500-060	189839	8.37	5/8 Pin for HD500-SWS & SWL jacks
P800-060	189841	9.19	Pin for HD700 jacks

SQUARE JACK FEATURES INCLUDE:

Heavy 12 gauge square tubing that is stronger than the traditional round jack. All square jacks dramatically improve side load strength. Powder coated outer tube and zinc plated inner tube. **Other options available upon request.**



	Our Sequence Number	Each
SUPPLY-ALLOY CLEVIS GRAB HOOK Contains 5 each: M804A, M805A, M806A, M808A	(Z91778)	\$360.57
SUPPLY-ALLOY CLEVIS SLIP HOOK Contains 5 each: M904A, M905A, M906A, M908A	(Z91782)	\$509.08
SUPPLY-CARBON CLEVIS GRAB HOOK Contains 5 each: M804L, M805L, M806L, M808L	(Z91776)	\$297.98
SUPPLY-CAST BRONZE BEARING Contains 1 each: CB06-0812, CB08-1016, CB08-1220, CB10-1220, CB10-1408, CB10-1612, CB12-1420, CB12-1624, CB12-1812, CB12-2016, CB14-1616, CB14-1824, CB14-2016, CB16-1820, CB16-2024, CB16-2216, CB16-2424, CB18-2016, CB18-2224, CB18-2424, CB18-2624, CB20-2424, CB20-2624, CB20-2824, CB22-2624, CB22-2816, CB24-2816, CB24-3016, CB24-3224, CB28-3224, CB28-3426, CB28-3624, CB32-3624, CB32-3824, CB32-4024	(Z91836)	\$314.54
SUPPLY-CHAIN CONNECTOR LINK Contains 5 each: M605, M606, M608	(Z91786)	\$257.48
SUPPLY-CHAIN SHACKLE Contains 10 each: M1546, M1547, M1548, M1550	(Z91784)	\$369.09
SUPPLY-COLD SHUT Contains 10 each: 1/4, 5/16, 3/8, 1/2	(Z91798)	\$38.03
SUPPLY-CYLINDER PIN & CLIP Contains 1 each: 1022C, 1017C, 190400002	(Z91828)	\$9.08
SUPPLY-FLAT GRINDING WHEELS Contains 1 each 4x1/4x41/64, 4-1/2x1/4x7/8, 5x1/4x7/8, 7x1/4x5/8, 9x1/4x5/8	(Z91816)	\$24.21
SUPPLY-HAIR PIN Contains 100 each: 8, 6, 9, 10, 11, 16	(Z91794)	\$156.40
SUPPLY-HITCH PIN WIRE HANDLE Contains 20 ea.: M1200, M1219E, M1221E; Contains 10 ea: M1225, M1230	(Z91800)	\$1329.14
SUPPLY-HITCH PIN SOLID HANDLE Contains 10 each: M1221E; Contains 5 each: M1225, M1230	(Z91802)	\$425.37
SUPPLY-HITCH PIN W/HAIR PIN Contains 25 each: 346H; Contains 12 each: 786H, 100H	(Z91804)	\$337.69
SUPPLY-HYDRAULIC ADAPTER Contains 5 each: 3/8MF, 1/2MF, 3/4MF, 3/4ORM3/8F, 7/8ORM1/2F	(Z91818)	\$98.84
SUPPLY-IDLER SPROCKET & PULLEY Contains 2 each: IS40-17E 1/2-5/8, IS50-13E 1/2-5/8, IS50-15E 1/2-5/8, IS50-17E 1/2-5/8, IS60-11E 1/2-5/8, IS60-13E 1/2-5/8, IS60-15E 1/2-5/8; Contains 1 each: 010-10482, 010-10601 5/8	(Z91824)	\$284.49
SUPPLY-LOAD BINDER Contains 2 each: 1/4 Brownie, 1/4 My-T-Myt	(Z91820)	\$52.97
SUPPLY-LOCK PIN Contains 1 each: 516-22LP, 38-20LP	(Z91792)	\$3.00
SUPPLY-MISSING LINK Contains 10 each: 1/4, 5/16, 3/8, 1/2	(Z91788)	\$441.30
SUPPLY-NR BUSHING Contains 10 each: 18 GAUGE BUSHINGS: 9/16, 5/8, 3/4, 7/8, 1, 1-1/8, 1-1/4, 1-3/8, 1-1/2, 1-5/8, 1-3/4, 2, 2-1/8; 14 GAUGE BUSHINGS: 9/16, 5/8, 3/4, 1, 1-1/8, 1-1/4, 1-3/8, 1-1/2, 1-5/8, 1-3/4, 1-7/8, 2, 2-1/8, 2-1/4, 2-3/8, 2-1/2; 10 GAUGE BUSHINGS: 3/4, 1, 1-1/8, 1-1/4, 1-3/8, 1-1/2, 1-5/8, 1-3/4, 1-7/8, 2, 2-1/8, 2-1/4, 2-1/2	(Z91768)	\$327.97
SUPPLY-POWDERED METAL BEARING Contains 1 each: PM06-0812, PM08-1016, PM08-1216, PM10-1216, PM10-1412, PM10-1616, PM12-1412, PM12-1624, PM12-1820, PM12-2020, PM14-1616, PM14-1820, PM14-2024, PM16-1816, PM16-2024, PM16-2224, PM16-2424, PM18-2016, PM18-2216, PM18-2424, PM20-2432, PM20-2624, PM20-2832, PM22-2620, PM22-2832, PM24-2824, PM24-3024, PM24-3232, PM28-3232, PM28-3432, PM26-3232, PM32-3632, PM32-3832, PM32-4032	(Z91834)	\$225.18

	Our Sequence Number	Each
SUPPLY-QUICK LINK Contains 10 each: Q-1/4, Q-5/16, Q-3/8, Q-1/2	(Z91790)	\$222.46
SUPPLY-RIDGID SHAFT COUPLER Contains 1 each: 1000, 1125, 1250	(Z91830)	\$106.32
SUPPLY-SET COLLAR Contains 5 each: LSC 8, LSC 10, LSC 12, LSC 14, LSC 16, LSC 18, LSC 20, LSC 22, LSC 24; Contains 3 each: LSC 26, LSC 28, LSC 30, LSC 32, LSC 34, LSC 36, LSC 38, LSC 40	(Z91766)	\$644.34
SUPPLY-THREE POINT LINK Contains 4 each: P711, P728, P7212, P7220, P7221, P722, P724, P721, P776, P771, P7715, P774, B831, B833, B832, B821, B8312, B2226, B216, B215, B224, B223, B2216 Hvy., B2232, B214, P7240, P792, P791, P7913, P794	(Z91774)	\$709.49
SUPPLY-TURNBUCKLE CLEVIS-CLEVIS Contains 2 each: 3/8, 1/2, 5/8, 3/4	(Z91808)	\$487.09
SUPPLY-TURNBUCKLE EYE-EYE Contains 2 each: 5/16, 3/8, 1/2	(Z91810)	\$338.05
SUPPLY-TURNBUCKLE HOOK-EYE Contains 2 each: 1/4, 5/16, 3/8, 1/2	(Z91812)	\$374.38
SUPPLY-TURNBUCKLE STUB END Contains 2 each: 1/4, 5/16, 3/8, 1/2	(Z91814)	\$126.63
SUPPLY-WIRE ROPE CLIP Contains 25 each: 1/4, 5/16, 3/8, 1/2	(Z91796)	\$137.64

Hooks Date: 4000	1/4" x 6" PEG BOARD HOOKS	Sequence # 110078	\$570.73	per 1,000
SUPPLY-TENSION BUSHING ASSORTMENT		(Z91832)	\$218.49	
Contains 1 each: SS08-1216, SS08-1224, SS10-1616, SS12-1616, SS12-1816, SS14-2020, SS16-2016, SS16-2216, SS18-2224, SS18-2432, SS20-2416, SS20-2624, SS20-2824, SS22-2816, SS24-2816, SS24-3024, SS24-3224, SS28-3224, SS28-3422, SS32-3632, SS32-3824, SS32-4024				
SUPPLY-THRUST WASHER-Bronze		(Z91772)	\$58.34	
Contains 1 each: TW08-1602, TW10-1602, TW10-2002, TW12-2002, TW12-2802, TW14-2402, TW16-2402, TW16-2802, TW16-3202, TW18-3002, TW20-3202, TW20-3802, TW22-3102, TW24-3202, TW24-4002, TW32-4802				
SUPPLY-WR BUSHING		(Z91770)	\$496.12	
Contains 10 each: 18 GAUGE BUSHINGS: 3/4, 7/8, 1, 1-1/8, 1-1/4, 1-3/8, 1-1/2, 1-5/8, 1-3/4, 1-7/8, 2, 2-1/8, 2-1/4, 2-1/2; 14 GAUGE BUSHINGS: 3/4, 7/8, 1, 1-1/8, 1-1/4, 1-3/8, 1-1/2, 1-5/8, 1-3/4, 1-7/8, 2, 2-1/8, 2-1/4, 2-1/2; 10 GAUGE BUSHINGS: 3/4, 7/8, 1, 1-1/8, 1-1/4, 1-3/8, 1-1/2, 1-5/8, 1-3/4, 1-7/8, 2, 2-1/8, 2-1/4, 2-1/2				