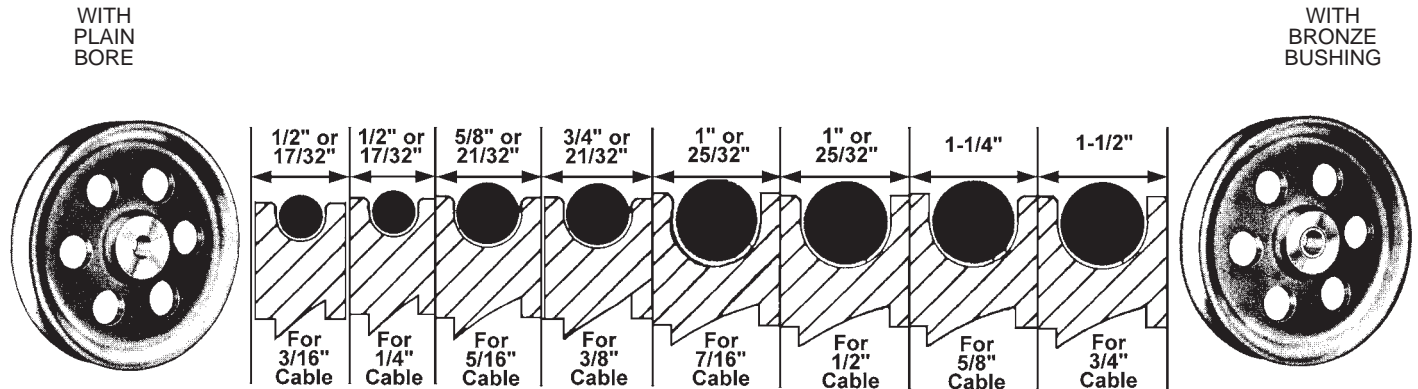


WIRE ROPE SHEAVES

Furnished with standard bores and deep grooves for wire rope blocks.  
Plain Bore or self-lubricating bronze bushed.  
Approximate Width Dimensions for Small Sheaves Below



If you don't find the bore you want, use Bronze Bushings to reduce Bore Size, or to increase Bore Size.  
Reduce bore size shown by 1/8" or 1/4" or 3/8" by adding the bronze bushing shown.  
Increase bore size shown by 1/8" or 1/4" by removing the existing bronze bushing in the bronze bushed sheaves and switching to the bronze bushing shown. You can run 1/8" smaller wire rope than suggested in any sheave.

No. 1173-93  
Bronze Bore  
Sheave Asst.:  
One Pkg.  
of each <sup>^</sup>  
marked size.

PART NUMBER IS: Rim x Bore O.D. x Width x Size Ins. x Ins. x Ins.	Fits Wire Rope Size Ins.	Sheave Hub Thick- ness Ins.	Wt. Lbs.	Our Sequence Number	PLAIN Bore Each	BRONZE Bore Each	If Ordering Plain Bore Sheave Can Add Bushings Below To Reduce Size			If Ordering Bronze Bore Sheave Can Switch Bushing To Increase Size		
							Add Bronze Bushing to Reduce Bore Size 1/8"	Add Bronze Bushing to Reduce Bore Size 1/4"	Add Bronze Bushing to Reduce Bore Size 3/8"	Present 3/16" Wall Bronze Bushing O.D. Ins.	Switch Bronze Bushing to Increase Bore Size 1/8"	Switch Bronze Bushing to Increase Bore Size 1/4"
WIRPSHPL WIRPSHBZ												
2x17/32x7/8	1/4	17/32	3/4	571230	\$16.02	\$....	PM121408	PM101408	PM081408	---	---	---
2x21/32x7/8	3/8	21/32	3/4	571245	16.02	....	PM121410	PM101410	PM081410	---	---	---
2x25/32x7/8	1/2	25/32	3/4	571215	16.02	....	PM121412	PM101412	PM081412	---	---	---
2-1/2x17/32x7/8	1/4	17/32	3/4	571233	22.11	....	PM121408	PM101408	PM081408	---	---	---
2-1/2x21/32x7/8	3/8	21/32	3/4	571248	22.11	....	PM121410	PM101410	PM081410	---	---	---
2-1/2x25/32x7/8	1/2	25/32	3/4	571218	22.11	....	PM121412	PM101412	PM081412	---	---	---
3x1/2x3/8	1/4	1/2	3/4	119392	....	50.73	---	---	---	---	---	---
3x17/32x7/8	1/4	17/32	1	571236	28.04	....	PM121408	PM101408	PM081408	---	---	---
3x21/32x7/8	3/8	21/32	1	571251	28.04	....	PM121410	PM101410	PM081410	---	---	---
3x3/4x3/8	1/4	13/16	3/4	119395	....	60.20 <sup>^</sup>	---	---	---	---	---	---
3x25/32x7/8	1/2	25/32	1	571221	28.04	....	PM121412	PM101412	PM081412	---	---	---
3-1/2x17/32x7/8	1/4	17/32	1	571239	39.75	....	PM121408	PM101408	PM081408	---	---	---
3-1/2x21/32x7/8	3/8	21/32	1	571254	39.75	....	PM121410	PM101410	PM081410	---	---	---
3-1/2x25/32x7/8	1/2	25/32	1	571224	39.75	....	PM121412	PM101412	PM081412	---	---	---
4x3/4x1/2	3/8	13/16	1-1/4	119399	....	81.24 <sup>^</sup>	CB060812	PM040816	---	3/4 <sup>*</sup>	PM101212	None <sup>**</sup>
4x3/4x3/4	3/8	13/16	1-1/4	119402	....	77.49 <sup>^</sup>	PM101216	PM081216	PM061216	1-1/8	PM141816	PM161816
4x1x3/4	1/2	1-1/16	1-1/2	119408	....	77.88 <sup>^</sup>	PM101216	PM081216	PM061216	1-1/8	PM141820	PM161824
4x17/32x7/8	1/4	17/32	1-1/2	571242	50.96	....	PM121408	PM101408	PM081408	---	---	---
4x21/32x7/8	3/8	21/32	1-1/2	571257	50.96	....	PM121410	PM101410	PM081410	---	---	---
4x25/32x7/8	1/2	25/32	1-1/2	571227	50.96	....	PM121412	PM101412	PM081412	---	---	---
5x1x3/4	1/2	1-1/16	2-1/2	119168	93.15+	....	PM101216	PM081216	PM061216	1-1/8	PM141820	PM161824
5x1x3/4	1/2	1-1/16	2-1/2	119424	....	114.71 <sup>^</sup>	PM101216	PM081216	PM061216	1-1/8	PM141820	PM161824
6x1x3/4	1/2	1-1/16	3-3/4	119488	....	113.55 <sup>^</sup>	PM101216	PM081216	PM061216	1-1/8	PM141820	PM161824
6x1x1	1/2	1-1/16	3-3/4	119494	....	141.56 <sup>^</sup>	PM141620	PM121624	PM101616	1-3/8	CB182212	---
8x1x3/4	1/2	1-1/8	5	119268	169.97	....	CB101212	CB081210	PM061220	1-1/8	PM141820	PM161824

\*1/2" ID Bronze Bushing has 3/4" O.D.

\*\*None means to take bushing out and use plain bore.

Date: 2500  
Brkn. Pkg. Date: Varies

### STUB END TURNBUCKLES



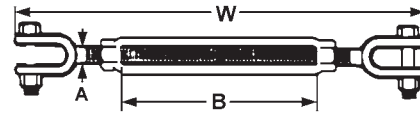
Welded Drop-Forged Steel, Self-Colored  
791-S  
Right and Left Stub Ends

Package of two Can be Easily Welded to Steel Bars

#### STUB END TURNBUCKLES

A Bolt Diam. Inches	B Take Up Inches	Safe Working Load Lbs.	Buckle Length Inches	W Closed Length Overall Inches	Open Length Overall Inches	Our Sequence Number	Per Each
1/4	x 4	500	4-3/4	10	14	119744	\$15.30
5/16	x 4-1/2	800	5-7/16	10-3/4	15-1/4	119808	19.95
3/8	x 6	1,200	7-1/8	--	--	---	....
1/2	x 6	2,200	7-1/2	16	22	119936	16.82
5/8	x 6	3,500	7-7/8	16	22	120000	20.67
3/4	x 6	5,200	8-1/4	17	23	120064	26.91
7/8	x 6	7,200	8-5/8	18	24	120128	37.36
1	x 6	10,000	9	19	25	120192	41.21

### CLEVIS JAW & CLEVIS JAW TURNBUCKLES B3



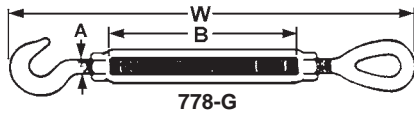
GALVANIZED 788-G  
1/4" through 5/8" have Bolts and Nuts  
3/4" through 1" have Pins and Cotters

#### CLEVIS JAW & CLEVIS JAW TURNBUCKLES

W Closed Length Overall Inches	Open Length Overall Inches	Pin Size Inches	Jaws Width Inches	Length Inside Jaw Inches	Our Sequence Number	Per Each
8	12	1/4	13/32	5/8	---	\$....
9-7/16	13-15/16	1/4	15/32	7/8	---	....
11-1/2	17-1/2	5/16	1/2	7/8	120832	67.08
13	19	3/8	5/8	1-1/16	120896	72.47
--	--	--	--	--	---	....
16-1/2	22-1/2	5/8	15/16	1-1/2	121024	120.16
--	--	--	--	--	---	....
20-1/16	26-1/16	7/8	1-3/16	2-1/16	121088	222.07

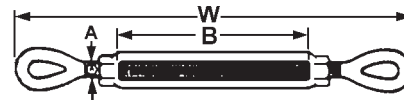
Qty. Disc: 5% for 2 pkgs., 10% for 5 pkgs. Turnbuckles can be mixed for quantity discount.

### HOOK & EYE TURNBUCKLES GALVANIZED



778-G

### EYE & EYE TURNBUCKLES GALVANIZED



780-G

Weldless drop forged steel, hot galvanized.  
Inside diameter of eye is equal to twice diameter of bolt.

Package of two

#### HOOK & EYE TURNBUCKLES

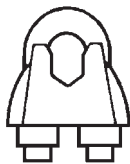
A Bolt Diam. Inches	B Take Up Inches	Buckle Length Inches	Safe Work Load Lbs.	W Closed Length Overall Inches	Open Length Overall Inches	Width Between Jaw Inches	Our Sequence Number	Per Each
1/4	x 4	4-3/4	400	8-9/32	12-9/32	7/16	120256	\$39.89
5/16	x 4-1/2	5-7/16	700	9-17/32	14-1/32	1/2	120320	49.65
3/8	x 6	7-1/8	1,000	11-31/32	17-31/32	9/16	120384	57.27
1/2	x 6	7-1/2	1,500	13-9/16	19-9/16	21/32	120448	63.32
5/8	x 6	7-7/8	2,250	---	---	---	---	....
3/4	x 6	8-1/4	3,000	---	---	---	---	....

#### EYE & EYE TURNBUCKLES

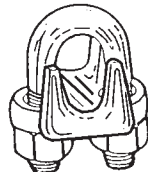
Safe Work Load Lbs.	W Closed Length Overall Inches	Open Length Overall Inches	Width Inside Eye Inches	Length Inside Eye Inches	Our Sequence Number	Per Each
500	8-5/16	13-1/16	11/32	780-G 25/32	---	\$....
800	9-13/16	25-1/4	7/16	15/16	121216	50.65
1,200	12-1/4	19-3/8	17/32	1-1/8	121280	55.28
2,200	13-15/16	21-7/16	23/32	1-7/16	121344	74.32
3,500	15-5/8	23-1/2	7/8	1-3/4	121408	90.77
5,200	17-5/8	25-7/8	1	2-1/8	121472	114.69

Date: 3400

### WIRE ROPE CLIPS Malleable Iron Galvanized



### WIRE ROPE CLIPS Drop Forged Base Galvanized



Drop Forged base with high wings.  
Rope channel shaped to assure perfect non slip union.  
Free running standard heavy nuts.  
Entire clip hot dip galvanized to resist corrosive and rusting action.

### WIRE ROPE THIMBLES



For Wire Rope Size Inches	Std. Pkg.	Wt. Per 100 Pcs.	Our Sequence Number	Per Each	No. Req'd	Minimum Std. Pkgs.	Wt. Per 100 Pcs.	Our Sequence Number	Per Each	Std. Pkgs.	Wt. Per 100 Pcs.	Our Sequence Number	Per Each
1/8	25	5	530112	WIRCLP \$0.69	2	--	--	1000-G	\$....	--	--	THIMBLE	\$....
3/16	25	8	530176	0.63	2	--	--	....	....	--	--	....	....
1/4	25	12	530240	1.06	2	--	--	....	....	25	5	530761	0.91
5/16	25	15	530304	1.15	2	100	30	115072	6.56	25	7	530770	1.14
3/8	25	21	530368	1.80	2	100	42	115136	7.97	25	9	530779	1.24
7/16	25	25	530380	1.83	2	50	70	115200	11.65	--	--	....	....
1/2	25	41	530496	2.96	3	50	75	115264	11.86	25	16	530797	1.44
9/16	--	--	---	....	3	50	100	115270	15.04	--	--	....	....
5/8	10	53	530560	4.07	3	50	100	115328	14.67	--	--	....	....
3/4	10	76	530624	5.81	4	25	150	115392	18.88	--	--	....	....
7/8	10	140	530688	8.44	4	--	--	....	....	--	--	....	....